

Table of Contents

Index – Industrial Controls



Molded Case Circuit Breakers - DWB Series

Standard Features.....	6
Product Selection.....	8
Accessories.....	12
Technical Data.....	17
Installation and Connections.....	18
Dimensions.....	20



Molded Case Circuit Breakers - UBW Series

Standard Features.....	27
Product Selection.....	28
Accessories.....	31
Technical Data.....	38
Dimensions.....	39
Internal Locations for Breaker Options.....	60



Miniature Circuit Breakers – UMBW Series

Standard Features.....	61
Product Selection.....	62
Accessories.....	66
Technical Data.....	69
Dimensions.....	71

General Information

Circuit Protection

Disconnect Switches

Motor Protectors

Contactors

Overloads

Enclosed Starters

Relays

Pushbuttons and Pilot Lights

Terminal Blocks

Power Factor Correction

Appendix A

Appendix B

DWB - UL489 Listed

Introducing the New WEG DWB Series Molded Case Circuit Breakers. With its compact frame the DWB provides an economical circuit protection solution for Commercial & Industrial machinery applications. The DWB Series ranges from 20 to 600Amps and is available in 80% Standard and 100% Premium ratings.

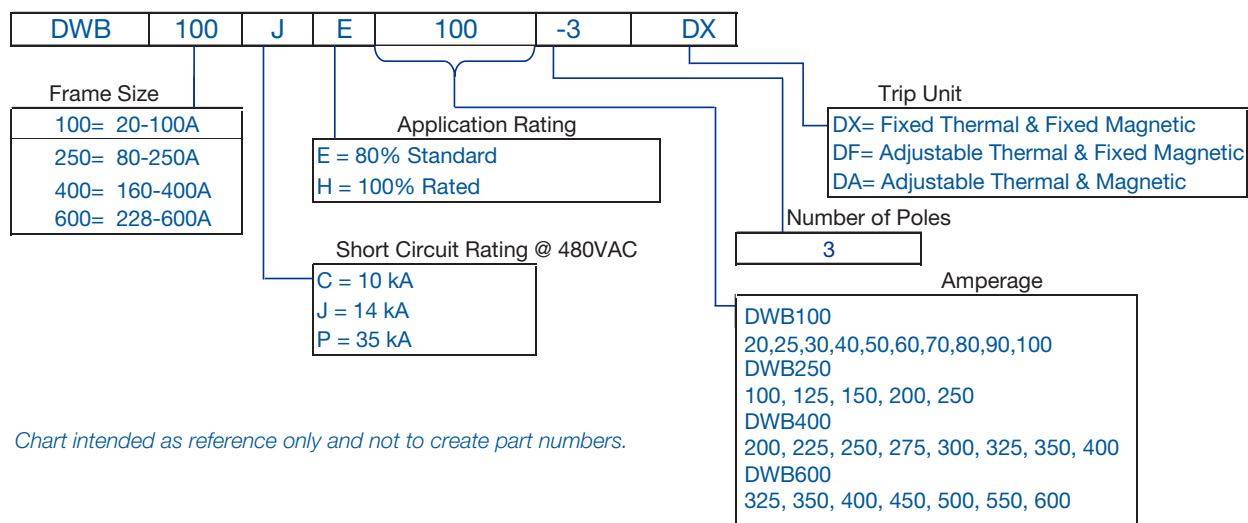


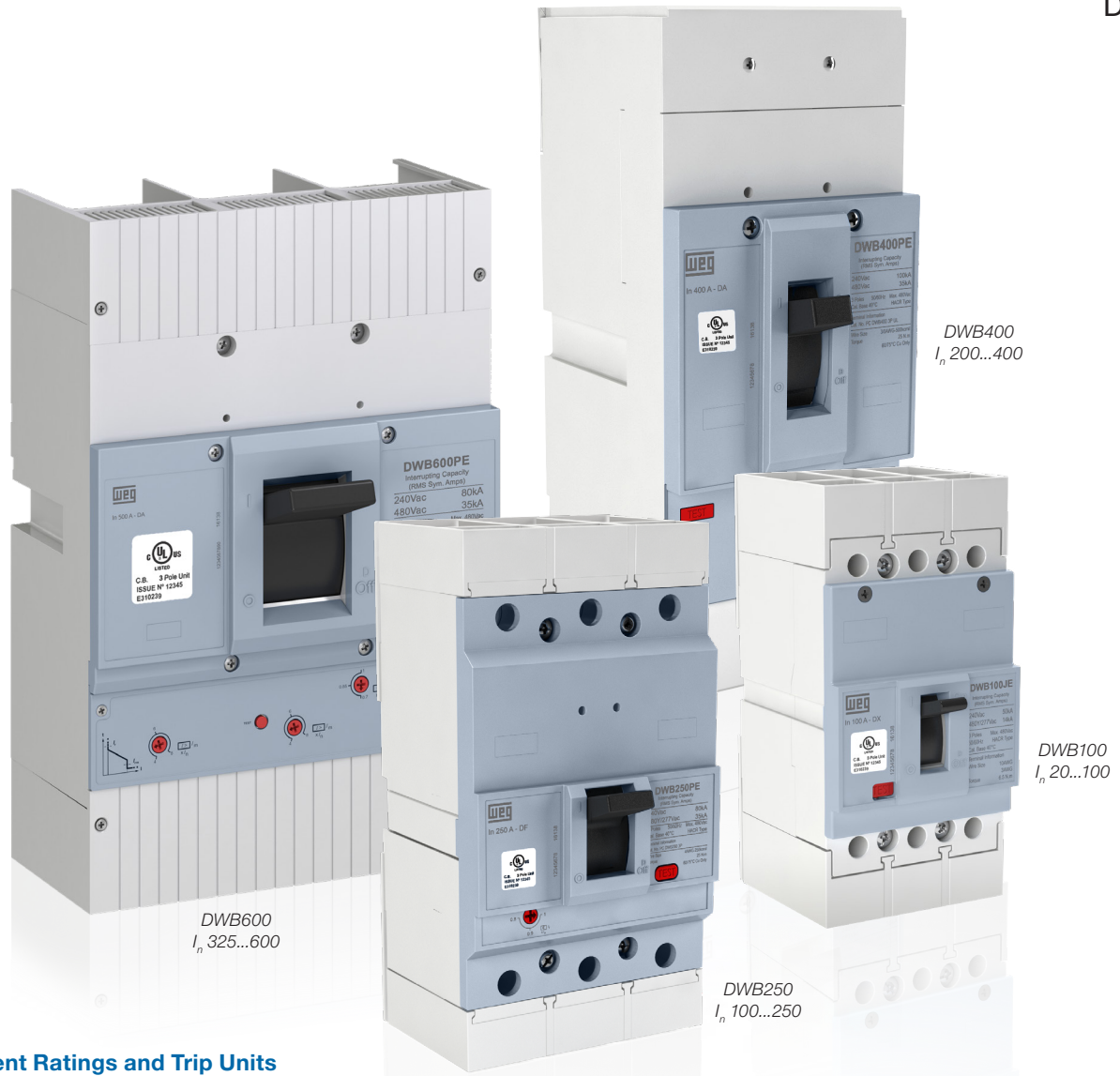
UL File No. E310239

Standard Features:

- Compact Size
- Thermal- Magnetic trip unit
- Complete line of field installable accessories
- Rotary Handle and Mechanism
- Suitable for reverse feed applications
- Lugs included

DWB Catalog Number Sequence





Current Ratings and Trip Units

Reference code	Rated current I_n (A)	Trip unit		Curve
DWB100	20, 25, 30, 40, 50, 60, 70, 80, 90, 100	Fixed thermal	Fixed magnetic ¹⁾ ($10 \times I_n$)	
DWB250	80-100, 100-125, 120-150, 160-200, 200-250	Adjustable thermal ($0.8...1 \times I_n$)	Fixed magnetic ($10 \times I_n$)	
DWB400	160-200, 180-225, 200-250, 220-275, 240-300, 260-325, 280-350, 320-400	Adjustable thermal ($0.8...1 \times I_n$)	Adjustable magnetic ($5...10 \times I_n$)	
DWB600	228-325, 245-350, 280-400, 315-450, 350-500, 385-550, 420-600	Adjustable thermal ($0.7...1 \times I_n$)	Adjustable magnetic ($5...10 \times I_n$)	

Note: 1) Circuit breakers with rated currents of 20 and 25 A, the magnetic trip point is 300 A.

Data is subject to change without notice.

DWB Selection Guide

DWB100 for Distribution - Standard 80% Rated - Fixed Thermal and Fixed Magnetic Trip Unit

Rated current (A)	Magnetic trip point (A)	Interrupting ratings (kA)		Catalog Number	List Price	Multiplier
		240 V ac	480Y/277 V ac			
DWB100CE						
20	300	25	10	DWB100CE20-3DX	\$495	Z10
25	300	25	10	DWB100CE25-3DX	\$495	
30	300	25	10	DWB100CE30-3DX	\$495	
40	400	25	10	DWB100CE40-3DX	\$495	
50	500	25	10	DWB100CE50-3DX	\$495	
60	600	25	10	DWB100CE60-3DX	\$495	
70	700	25	10	DWB100CE70-3DX	\$495	
80	800	25	10	DWB100CE80-3DX	\$511	
90	900	25	10	DWB100CE90-3DX	\$511	
100	1000	25	10	DWB100CE100-3DX	\$511	
DWB100JE						
20	300	50	14	DWB100JE20-3DX	\$558	Z10
25	300	50	14	DWB100JE25-3DX	\$558	
30	300	50	14	DWB100JE30-3DX	\$558	
40	400	50	14	DWB100JE40-3DX	\$558	
50	500	50	14	DWB100JE50-3DX	\$558	
60	600	50	14	DWB100JE60-3DX	\$558	
70	700	50	14	DWB100JE70-3DX	\$558	
80	800	50	14	DWB100JE80-3DX	\$579	
90	900	50	14	DWB100JE90-3DX	\$579	
100	1000	50	14	DWB100JE100-3DX	\$579	
DWB250 for Distribution - Standard 80% Rated - Adjustable Thermal and Fixed Magnetic Trip Unit						
Current range (A)	Magnetic trip point (A)	Interrupting ratings (kA)		Catalog Number	List Price	Multiplier
		240 V ac	480Y/277 V ac			
DWB250JE						
80-100	1000	50	14	DWB250JE100-3DF	\$1170	Z10
100-125	1250	50	14	DWB250JE125-3DF	\$1170	
120-150	1500	50	14	DWB250JE150-3DF	\$1170	
160-200	2000	50	14	DWB250JE200-3DF	\$1170	
200-250	2500	50	14	DWB250JE250-3DF	\$1170	
DWB250PE						
80-100	1000	80	35	DWB250PE100-3DF	\$1490	Z10
100-125	1250	80	35	DWB250PE125-3DF	\$1490	
120-150	1500	80	35	DWB250PE150-3DF	\$1490	
160-200	2000	80	35	DWB250PE200-3DF	\$1490	
200-250	2500	80	35	DWB250PE250-3DF	\$1490	

DWB400 for Distribution - Standard 80% Rated - Adjustable Thermal and Magnetic Trip Unit

Current range (A)	Magnetic trip point (A)	Interrupting ratings (kA)		Catalog Number	List Price	Multiplier
		240 V ac	480 V ac			
DWB400JE						
160-200	1600-2000	50	18	DWB400JE200-3DA	\$2350	Z10
180-225	1800-2250	50	18	DWB400JE225-3DA	\$2350	
200-250	2000-2500	50	18	DWB400JE250-3DA	\$2350	
220-275	2200-2750	50	18	DWB400JE275-3DA	\$2350	
240-300	2400-3000	50	18	DWB400JE300-3DA	\$2350	
260-325	2600-3250	50	18	DWB400JE325-3DA	\$2350	
280-350	2800-3500	50	18	DWB400JE350-3DA	\$2350	
320-400	3200-4000	50	18	DWB400JE400-3DA	\$2350	
DWB400PE						
160-200	1600-2000	80	35	DWB400PE200-3DA	\$2610	Z10
180-225	1800-2250	80	35	DWB400PE225-3DA	\$2610	
200-250	2000-2500	80	35	DWB400PE250-3DA	\$2610	
220-275	2200-2750	80	35	DWB400PE275-3DA	\$2610	
240-300	2400-3000	80	35	DWB400PE300-3DA	\$2610	
260-325	2600-3250	80	35	DWB400PE325-3DA	\$2610	
280-350	2800-3500	80	35	DWB400PE350-3DA	\$2610	
320-400	3200-4000	80	35	DWB400PE400-3DA	\$2610	
DWB600 for Distribution - Standard 80% Rated - Adjustable Thermal and Magnetic Trip Unit						
Current range (A)	Magnetic trip point (A)	Interrupting ratings (kA)		Catalog Number	List Price	Multiplier
		240 V ac	480 V ac			
DWB600PE						
227.5-325	1625-3250	80	35	DWB600PE325-3DA	\$4350	Z10
245-350	1750-3500	80	35	DWB600PE350-3DA	\$4350	
280-400	2000-4000	80	35	DWB600PE400-3DA	\$4350	
315-450	2250-4500	80	35	DWB600PE450-3DA	\$4350	
350-500	2500-5000	80	35	DWB600PE500-3DA	\$4350	
385-550	2750-5500	80	35	DWB600PE550-3DA	\$4350	
420-600	3000-6000	80	35	DWB600PE600-3DA	\$4350	

Notes: Wiring terminals (lugs) built-in for DWB100 and supplied as standard with DWB250, DWB400 and DWB600. Lugs are also available as an accessory for DWB250, DWB400 and DWB600, see the section Accessories.

General Information

Circuit Protection

Disconnect Switches

Motor Protectors

Contactors

Overloads

Enclosed Starters

Relays

Pushbuttons and Pilot Lights

Terminal Blocks

Power Factor Correction

Appendix A

Appendix B

DWB

Selection Guide

DWB100 for Distribution - Premium 100% Rated - Fixed Thermal and Fixed Magnetic Trip Unit

Rated current (A)	Magnetic trip point (A)	Interrupting ratings (kA)		Reference code	List Price	Multiplier
		240 V ac	480Y/277 V ac	3 poles		
DWB100CH						
20	300	25	10	DWB100CH20-3DX	\$591	Z10
25	300	25	10	DWB100CH25-3DX	\$591	
30	300	25	10	DWB100CH30-3DX	\$591	
40	400	25	10	DWB100CH40-3DX	\$591	
50	500	25	10	DWB100CH50-3DX	\$591	
60	600	25	10	DWB100CH60-3DX	\$591	
70	700	25	10	DWB100CH70-3DX	\$591	
80	800	25	10	DWB100CH80-3DX	\$622	
90	900	25	10	DWB100CH90-3DX	\$622	
100	1000	25	10	DWB100CH100-3DX	\$622	

DWB100JH

20	300	50	14	DWB100JH20-3DX	\$640	Z10
25	300	50	14	DWB100JH25-3DX	\$640	
30	300	50	14	DWB100JH30-3DX	\$640	
40	400	50	14	DWB100JH40-3DX	\$640	
50	500	50	14	DWB100JH50-3DX	\$640	
60	600	50	14	DWB100JH60-3DX	\$640	
70	700	50	14	DWB100JH70-3DX	\$640	
80	800	50	14	DWB100JH80-3DX	\$697	
90	900	50	14	DWB100JH90-3DX	\$697	
100	1000	50	14	DWB100JH100-3DX	\$697	

DWB250 for Distribution - Premium 100% Rated - Adjustable Thermal and Fixed Magnetic Trip Unit

Current range (A)	Magnetic trip point (A)	Interrupting ratings (kA)		Reference code	List Price	Multiplier
		240 V ac	480Y/277 V ac	3 poles		
DWB250JH						
80-100	1000	50	14	DWB250JH100-3DF	\$1402	Z10
100-125	1250	50	14	DWB250JH125-3DF	\$1402	
120-150	1500	50	14	DWB250JH150-3DF	\$1402	
160-200	2000	50	14	DWB250JH200-3DF	\$1402	
200-250	2500	50	14	DWB250JH250-3DF	\$1402	

DWB250PH

80-100	1000	80	35	DWB250PH100-3DF	\$1598	Z10
100-125	1250	80	35	DWB250PH125-3DF	\$1598	
120-150	1500	80	35	DWB250PH150-3DF	\$1598	
160-200	2000	80	35	DWB250PH200-3DF	\$1598	
200-250	2500	80	35	DWB250PH250-3DF	\$1598	

General Information

Circuit Protection

Disconnect Switches

Motor Protectors

Contactors

Overloads

Enclosed Starters

Relays

Pushbuttons and Pilot Lights

Terminal Blocks

Power Factor Correction

Appendix A

Appendix B

DWB400 for Distribution - Premium 100% Rated - Adjustable Thermal and Magnetic Trip Unit

Current range (A)	Magnetic trip point (A)	Interrupting ratings (kA)		Reference code	List Price	Multiplier
		240 V ac	480 V ac	3 poles		
DWB400JH						
160-200	1600-2000	50	18	DWB400JH200-3DA	\$2585	Z10
180-225	1800-2250	50	18	DWB400JH225-3DA	\$2585	
200-250	2000-2500	50	18	DWB400JH250-3DA	\$2585	
220-275	2200-2750	50	18	DWB400JH275-3DA	\$2585	
240-300	2400-3000	50	18	DWB400JH300-3DA	\$2585	
260-325	2600-3250	50	18	DWB400JH325-3DA	\$2585	
280-350	2800-3500	50	18	DWB400JH350-3DA	\$2585	
320-400	3200-4000	50	18	DWB400JH400-3DA	\$2585	
DWB400PH						
160-200	1600-2000	80	35	DWB400PH200-3DA	\$2870	Z10
180-225	1800-2250	80	35	DWB400PH225-3DA	\$2870	
200-250	2000-2500	80	35	DWB400PH250-3DA	\$2870	
220-275	2200-2750	80	35	DWB400PH275-3DA	\$2870	
240-300	2400-3000	80	35	DWB400PH300-3DA	\$2870	
260-325	2600-3250	80	35	DWB400PH325-3DA	\$2870	
280-350	2800-3500	80	35	DWB400PH350-3DA	\$2870	
320-400	3200-4000	80	35	DWB400PH400-3DA	\$2870	
DWB600 for Distribution - Standard 100% Rated - Adjustable Thermal and Magnetic Trip Unit						
Current range (A)	Magnetic trip point (A)	Interrupting ratings (kA)		Reference code	List Price	Multiplier
		240 V ac	480 V ac	3 poles		
DWB600PH						
227.5-325	1625-3250	80	35	DWB600PH325-3DA	\$4785	Z10
245-350	1750-3500	80	35	DWB600PH350-3DA	\$4785	
280-400	2000-4000	80	35	DWB600PH400-3DA	\$4785	
315-450	2250-4500	80	35	DWB600PH450-3DA	\$4785	
350-500	2500-5000	80	35	DWB600PH500-3DA	\$4785	
385-550	2750-5500	80	35	DWB600PH550-3DA	\$4785	
420-600	3000-6000	80	35	DWB600PH600-3DA	\$4785	

Notes: Wiring terminals (lugs) built-in for DWB100 and supplied as standard with DWB250, DWB400 and DWB600. Lugs are also available as an accessory for DWB250, DWB400 and DWB600, see the section Accessories.

General Information

Circuit Protection

Disconnect Switches

Motor Protectors

Contactors

Overloads

Enclosed Starters

Relays

Pushbuttons and Pilot Lights

Terminal Blocks

Power Factor Correction

Appendix A

Appendix B

DWB

DWB100 - Internal Accessories

Auxiliary and Alarm Switches

Internal Accessory	Number of Contacts	Catalog Number	List Price	Multiplier
Aux Switch BC	1	BC-1 DWB	\$98	Z10
	2	BC-2 DWB	\$160	
Alarm Switch AL	1	AL-1 DWB	\$98	
Aux Switch & Alarm Switch BCAL	1BC + 1AL	BCAL-2 DWB	\$160	

Electrical Characteristics

Rated Voltage	Type of Load	Switching Capacity (Amp)
125 VAC	Resistive	6
250 VAC	Resistive	6

BC Auxiliary Switch

- Indicates remote circuit breaker status “open” (OFF) or “closed” (ON) through SPDT form C contacts.

AL Alarm Switch

- Indicates circuit breaker has tripped due to overload, short-circuit, shunt trip or undervoltage-trip release conditions through SPDT form C contact.
- Contact opens when circuit breaker is reset
- Offers provision for audio and visual indication of tripped breaker due to conditions described above

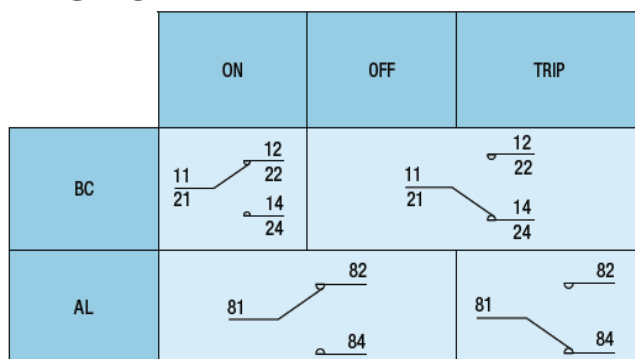
BCAL Auxiliary and Alarm Switch

- Auxiliary and alarm switch incorporated into one unit

BC, AL & BCAL

- All come with built-in terminal blocks. These terminal blocks will accept 20 to 16 AWG (0.5 to 1.5MM²) Tightening torque of 6.9 lb.in. (0.8 N. m.).

Wiring Diagrams



DWB100 - Internal Accessories

Shunt and Undervoltage Release

	Internal Accessory	Rated Voltage Ue	Catalog Number	List Price	Multiplier
DWB100 DWB250	Undervoltage Release BS	24/48/60/110-130/220-250V ac/dc	BS DWB160*	\$220	Z10
	Shunt Release BD		BD DWB160*	\$198	
DWB400	Undervoltage release BS		BS DWB400*	300	
	Shunt release BD		BD DWB400*	300	
	Under voltage release BD		BS DWB600*	375	
	Shunt release BD		BD DWB600*	375	

*Complete Catalog Number, Replace * with Appropriate Voltage Code

Voltage Codes

E26	E27	E10	E15
24V ac/dc	48V ac/dc	110-130V ac/dc	220-250V ac/dc

BD Shunt Release

- When energized by a pulse or maintained signal of voltage, the shunt release trips breaker (trip position). Shunt release works from 70 to 110% of rated voltage ($0.70 \times U_n < U_e < 1.1 \times U_n$).
- Features a device to keep unenergized after tripping pulse.

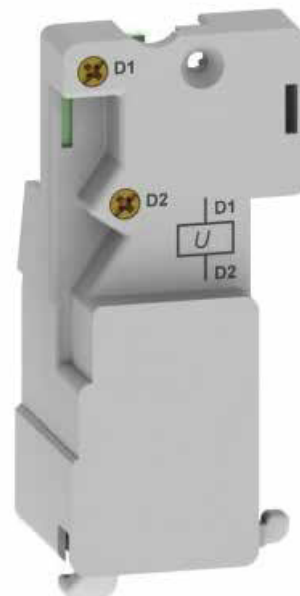
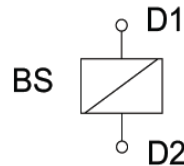
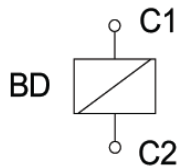
BS Undervoltage Release

- Trips breaker when the voltage drops below 35% of the rated voltage ($U_e < 0.35 \times U_n$)
- When voltage is between 35 to 70% of rated voltage, it may open the circuit breaker ($0.35 \times U_n < U_e < 0.7 \times U_n$)
- After the operation of BS release, circuit breaker can only be closed if supply voltage is above 85% of the rated voltage ($U_e > 0.85 \times U_n$)
- The BS undervoltage release along with an emergency stop push button makes possible for fail-safe operation of the circuit breaker

BD & BS Release

- All come with built-in terminal blocks. These terminal blocks will accept 20 to 16 AWG (0.5 to 1.5MM²). Tightening torque of 6.9 lb.in. (0.8 N. m.). After BD or BS operation the circuit breaker has to be reset before being closed again.

Wiring Diagrams



DWB

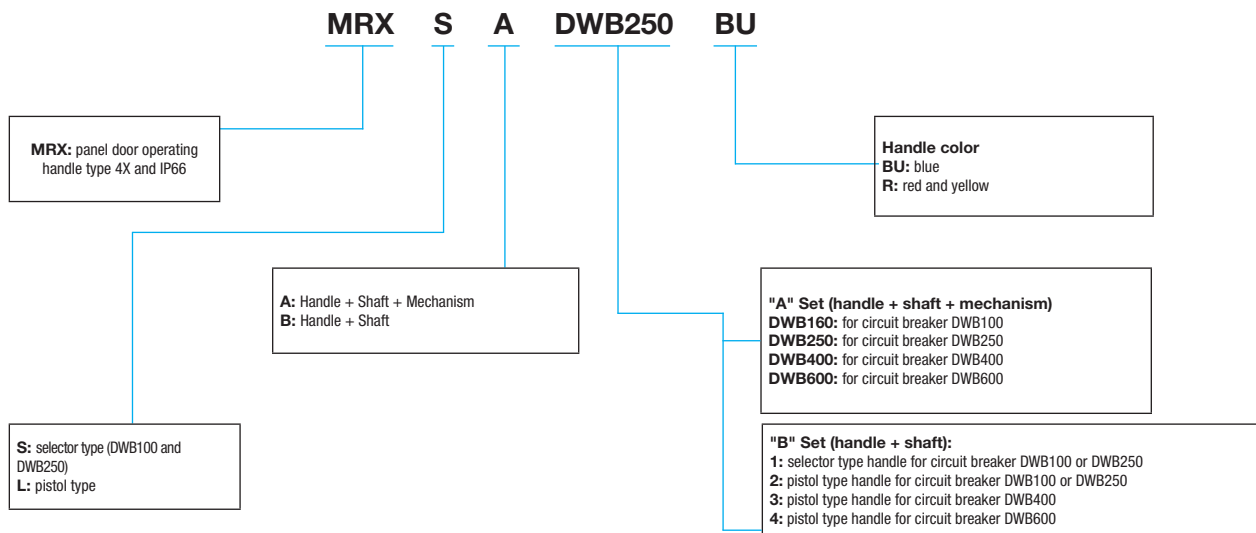
External Accessories

Panel Door Operating Handles

Handle (IP66)


- When in ON position, panel door cannot be opened, unless a tool is used to bypass the panel door locking system, allowing thermometry of the panel.
- Circuit breaker and panel door padlocking in OFF position using 1 to 3 padlocks.

Coding



Panel Door Operating Handles (IP66)

"A" Set: Handle + Shaft + Mechanism

Description	Circuit breaker	Shaft (mm)	Length of handle (mm)	Handle color	List Price	Multiplier
 MRXS	MRXS-A-DWB160-R	DWB100	460	-	Red and yellow	Z10
	MRXS-A-DWB250-R	DWB250	460	-	Red and yellow	
	MRXL-A-DWB160-R	DWB100	460	105	Red and yellow	
	MRXL-A-DWB250-R	DWB250	460	105	Red and yellow	
	MRXL-A-DWB400-R	DWB400	460	105	Red and yellow	
	MRXL-A-DWB1000-R	DWB600	460	158	Red and yellow	
	MRXS-A-DWB160-BU	DWB100	460	-	Blue	
	MRXS-A-DWB250-BU	DWB250	460	-	Blue	
	MRXL-A-DWB160-BU	DWB100	460	105	Blue	
	MRXL-A-DWB250-BU	DWB250	460	105	Blue	
	MRXL-A-DWB400-BU	DWB400	460	105	Blue	
	MRXL-A-DWB1000-BU	DWB600	460	158	Blue	

Notes: 1) Padlocks 4 up to 8 mm may be fit to the handles.
2) Sold separately only. It is not sold assembled on the circuit breaker.

External Accessories

Panel Door Operating Handles (IP66)

"B" Set: Handle + Shaft

Part Number	Circuit breaker	Shaft (mm)	Length of handle (mm)	Handle color	List Price	Multiplier
MRXS-B-1-R	DWB100 / DWB250	460	-	Red and yellow	\$175	Z10
MRXL-B-2-R	DWB100 / DWB250	460	105	Red and yellow	\$200	
MRXL-B-3-R	DWB400	460	105	Red and yellow	\$240	
MRXL-B-4-R	DWB600	460	158	Red and yellow	\$275	
MRXS-B-1-BU	DWB100 / DWB250	460	-	Blue	\$175	
MRXL-B-2-BU	DWB100 / DWB250	460	105	Blue	\$200	
MRXL-B-3-BU	DWB400	460	105	Blue	\$240	
MRXL-B-4-BU	DWB600	460	158	Blue	\$275	

Notes: 1) Padlocks 4 up to 8 mm may be fit to the handles.
2) Sold separately only. It is not sold assembled on the circuit breaker.

Only Mechanism

Description	Circuit breaker	List Price	Multiplier
MRH DWB160	DWB100	\$150	Z10
MRH DWB250	DWB250	\$160	
MRH DWB400	DWB400	\$200	
MRH DWB1000E	DWB600	\$250	

Note: 1) Sold separately only. It is not sold assembled on the circuit breaker.

Shaft Support

- Recommended when the shaft length is more than indicated in next table.



Description	Circuit breaker	Shaft length to use of support	List Price	Multiplier
MR DWB400	DWB400	> 380 mm	\$45	Z10
MR DWB800-1600	DWB600	> 320 mm	\$50	

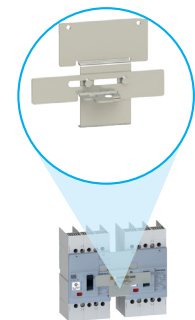
Note: sold separately only. It is not sold assembled on the circuit breaker. Accessory may be used on frames 3P and 4P.

Changeover Device

Manual-operated changeovers are used to make safe switching of two different circuits.

BLIM Mechanical Interlock

- Provides safe operation in a manual-operated changeover system
- Makes the mechanical interlock of 2 circuit breakers of the same frame size, preventing both MCCBs to be in ON position
- Interlock is assembled directly to the front cover of the circuit breakers
- It can be padlocked in 2 positions: MCCB1 ON and MCCB2 OFF, MCCB1 OFF and MCCB2 ON
- BLIM allows padlocks with diameters of Ø0.16...0.31 inches (4...8 mm)
- It is possible to interlock 3 MCCBs side-by-side using 2 BLIMs
- Padlocks are not supplied



External accessory	MCCB	Reference code	List Price	Multiplier
Mechanical interlock BLIM	DWB100	BLIM DWB100 3P	\$338	Z10
	DWB250	BLIM DWB250 3P	\$377	
	DWB400	BLIM DWB400 3P	\$425	
	DWB600	BLIM DWB800-1600 3P	\$425	

General Information

Circuit Protection

Disconnect Switches

Motor Protectors

Contactors

Overloads

Enclosed Starters

Relays

Pushbuttons and Pilot Lights

Terminal Blocks

Power Factor Correction

Appendix A

Appendix B

DWB


External Accessories

Accessory for Connection and Installation

Depending on the application and local standards, the MCCB may be installed and connected through bus bars or cables. Given these requirements, the DWB range of circuit breakers have the specific connection accessory to comply with.

PC Wiring Terminals (Lugs)

- Provides the means for connecting the circuit breaker to the power source and the load
- PC is supplied with 3 pieces that are suitable for either line or load terminals
- Built-in on DWB100 in the 6 terminals
- Lugs are supplied with 6 units for DWB250, DWB400 and DWB600 (supplied as standard)
- Pack with 3 units for spare parts



External accessory	Spare part (units)	MCCB	Minimum cross-section (AWG / mm ²)	Maximum cross-section (AWG / mm ²)	Tightening torque (lb.in / N.m)	Reference code	List Price	Multiplier
Wiring terminal PC	3	DWB250	4 / 25 (1 cable)	250 kcmil / 120 (1 cable)	220 / 25	PC DWB250 3P	\$87	Z10
		DWB400	3/0 / 95 (1 cable)	500 kcmil / 240 (1 cable)	265 / 35	PC DWB400 3P	\$140	
		DWB600	400 kcmil / 240 (1 cable) or 3/0 / 95 (2 cables)	350 kcmil / 185 (2 cables)	310 / 55	PC DWB800-1000 3P	\$250	

DIN Rail Base

- Quick assembly of DWB100 on 35 mm DIN rails
- Fast replacement when panel is under maintenance

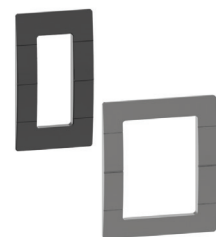


External accessory	MCCB	Reference code	List Price	Multiplier
DIN rail base	DWB100	BFR DWB160 3P UL	\$25	Z10

Escutcheons and Lock-OFF Devices

MP Escutcheons

- Escutcheons are frames for cutouts in panel doors
- It makes possible the external switching of the MCCB through the front door when the circuit breakers is installed close to the panel door, maintaining the degree of protection
- Degree of protection IP40
- See section Dimensions for cutout details



External accessory	MCCB	Reference code	List Price	Multiplier
Escutcheon MP	DWB100 3P	MP DWB100	\$12	Z10
	DWB250 3P	MP DWB250	\$14	
	DWB400 3P	MP DWB400	\$15	
	DWB600 3P	MP DWB800-1600	\$15	

Note: degree of protection rating (IP) according to IEC 60529.

PLW Lock-OFF Devices

- The PLW is a fixed-type device that is installed on the front of the MCCB ensuring the MCCB locking in OFF position
- It can be padlocked using 1 to 3 padlocks. PLW allows padlocks with diameters of Ø0.16...0.31 inches (4...8 mm)
- Padlocks are not supplied



External accessory	MCCB	Reference code	List Price	Multiplier
Lock-OFF device PLW	DWB100 3P	PL DWB100	\$65	Z10
	DWB250 3P	PL DWB250	\$71	
	DWB400 3P	PL DWB400	\$150	
	DWB600 3P	PL DWB800-1600	\$150	

Technical Data

Reference code		DWB100	DWB250	DWB400	DWB600	
Frame size		100	250	400	600	
Electrical characteristics according to UL 489						
Rated operational voltage - E_n	V ac (60 Hz)	480Y/277	480Y/277	480	480	
Maximum rated continuous current - I_n (40 °C)	A	100	250	400	600	
MCCB rating design		80%, 100% ¹⁾				
Rated current - I_n (40 °C)	A	20, 25, 30, 40, 50, 60, 70, 80, 90, 100	80-100, 100-125, 120-150, 160-200, 200-250	160-200, 180-225, 200-250, 220-275, 240-300, 260-325, 280-350, 320-400	227.5-325, 245-350, 280-400, 315-450, 350-500, 385-550, 420-600	
Number of poles		3	3	3	3	
Short-circuit breaking capacity levels		C J	J P	J P	P	
UL interrupting rating - max RMS symmetrical	kA rms	-	-	-	-	
	240 V ac	35 50	50 80	50 80	80	
	480Y/277 V ac	10 14	14 35	-	-	
	480 V ac	-	-	18 35	35	
Mechanical lifespan (C-0)	Number of operations	10,000	6,000	6,000	6,000	
	Operations per hour	360	240	240	240	
Electrical lifespan (C-0) @ 480 V ac	Number of operations	6,000	1,000	1,000	1,000	
	Operations per hour	360	240	240	240	
Protection						
Against short-circuit & overload (fixed thermomagnetic)		Yes	No	No	No	
Against short-circuit & overload (adjustable thermal and fixed magnetic)		No	Yes	No	No	
Against short-circuit & overload (adjustable thermal and magnetic)		No	No	Yes	Yes	
Accessories						
Internal	Auxiliary switch BC	Yes	Yes	Yes	Yes	
	Alarm switch AL	Yes	Yes	Yes	Yes	
	Auxiliary and alarm switches BCAL	Yes	Yes	Yes	Yes	
	Shunt trip release BD	Yes	Yes	Yes	Yes	
	Undervoltage-trip release BS	Yes	Yes	Yes	Yes	
External	Mechanical interlock BLIM	Yes	Yes	Yes	Yes	
	Lock-OFF device PLW	Yes	Yes	Yes	Yes	
	Escutcheons MP	Yes	Yes	Yes	Yes	
	Wiring terminal (lug) PC	Built-in	Standard	Standard	Standard	
Handles	Panel door rotary operating handle	Yes	Yes	Yes	Yes	
Installation and connections						
Suitable for reverse connection		Yes	Yes	Yes	Yes	
Cables - Cu ²⁾	Maximum cross-section	3 AWG	250 kcmil	500 kcmil	400 kcmil	
	Minimum cross-section	10 AWG	4 AWG	3/0 AWG	3/0 AWG	
	Tightening torque	lb.in (N.m)	57.5 (6.5)	220 (25)	265 (35)	310 (55)
Busbar	Tightening torque	lb.in (N.m)	-	70 (8)	175 (20)	175 (20)
Dimensions (W x D x H)		Inches (mm)	3.07 x 2.87 x 6.30 (78 x 73 x 160)	4.13 x 3.15 x 7.87 (105 x 80 x 200)	4.22 x 3.9 x 12.72 (107 x 99 x 323)	8.27 x 3.9 x 12.72 (210 x 99 x 323)
Weight	3 poles	Pounds (kg)	2.09 (0.95)	3.97 (1.8)	7.85 (3.56)	16.31 (7.4)

Notes: 1) For DWB100: suitable for continuous operation at 100 percent of rating only if used in a circuit breaker enclosure in a cubicle space 23.6 by 15.7 by 7.9 inches (600 by 400 by 200 mm) or equivalent.
 For DWB250: suitable for continuous operation at 100 percent of rating only if used in a circuit breaker enclosure in a cubicle space 31.5 by 23.6 by 11.8 inches (800 by 600 by 300 mm) or equivalent.
 For DWB400 and DWB600: suitable for continuous operation at 100 percent of rating only if used in a circuit breaker enclosure in a cubicle space 47.2 by 23.6 by 15.8 inches (1,200 by 600 by 400 mm) or equivalent.
 2) Use only 90 °C rated wire with ampacity based on 75 °C rated conductors.

Installation and Connections

Minimum Mounting Distances: DWB100

		<i>in/mm</i>
<p>Recommended mounting distances (inch / mm)</p>	A	1.97 / 50
	B	0.79 / 20
	C	0.79 / 20
<p>Recommended distances between circuit breakers for side by side assembly (inch / mm)</p>	D	0.394 / 10
<p>Recommended distances between circuit breakers for vertical assembly (inch / mm)</p>	E	3.54 / 90
<p>Mounting position</p>		
<p>Drilling for fixing the circuit breakers (inch / mm)</p> <p>DWB160</p>		See section dimensions
<p>Dimensions of fixing screw to the plate (inch / mm)</p>		M4 x 2.99 / 76 (2 pieces)
<p>Surpass of the fixing screw in relation to the circuit breaker (inch / mm)</p>	H	0.315 / 8
<p>Tightening torque - fixing screw (lb.in / N.m)</p>		35.2 / 4

Installation and Connections

Thermal Dissipation

Distribution MCCB

Rated current - In	A	20	25	30	40	50	60	70	80	90	100
Power loss	Watts/pole										
	DWB160	1	2	4	4	5	8	4	5	6	7

Deratings

Temperature derating	50 °F 10 °C	59 °F 15 °C	68 °F 20 °C	77 °F 25 °C	86 °F 30 °C	95 °F 35 °C	104 °F 40 °C	113 °F 45 °C	122 °F 50 °C	131 °F 55 °C	140 °F 60 °C
DWB160 (x In)	1.16	1.12	1.09	1.07	1.02	1.02	1	0.97	0.95	0.91	0.88

Altitude derating		6500 ft / 2000 m	9800 ft / 3000 m	13100 ft / 4000 m	16400 ft / 5000 m
Rated current - In	%	100	98	93	90
Rated operational voltage - Ue	V ac	480Y/277	480Y/277	480Y/277	400Y/230

General Information

Circuit Protection

Disconnect Switches

Motor Protectors

Contactors

Overloads

Enclosed Starters

Relays

Pushbuttons and Pilot Lights

Terminal Blocks

Power Factor Correction

Appendix A

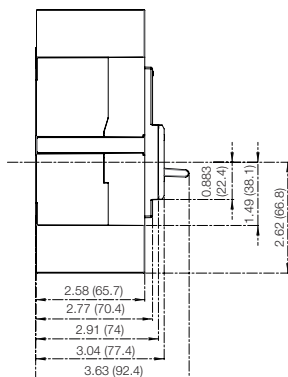
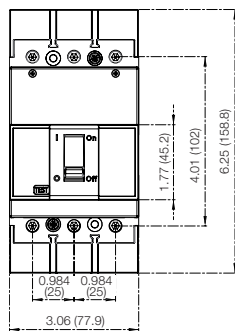
Appendix B

DWB

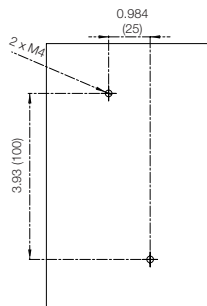
Dimensions - Inch (mm)

Circuit Breakers

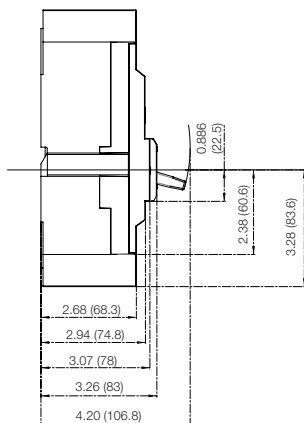
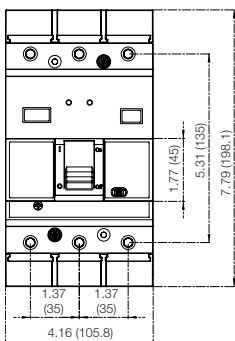
DWB100



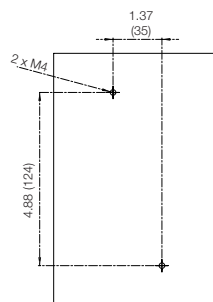
Drilling for Fixing



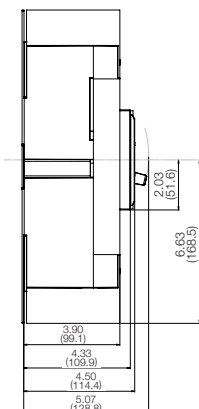
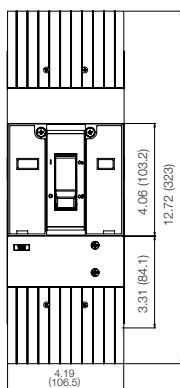
DWB250



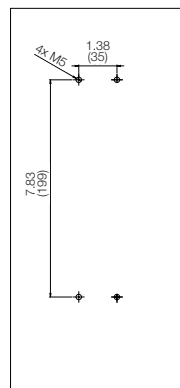
Drilling for Fixing



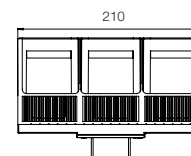
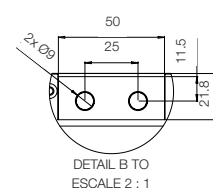
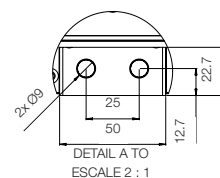
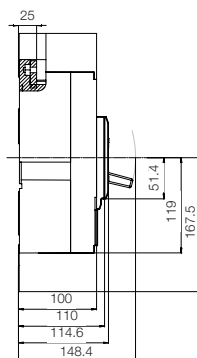
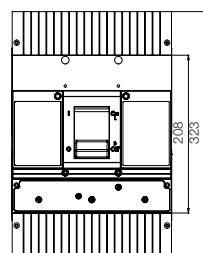
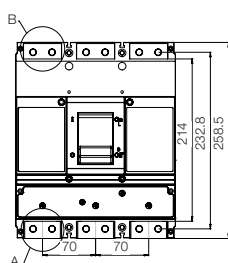
DWB400



Drilling for Fixing



DWB600

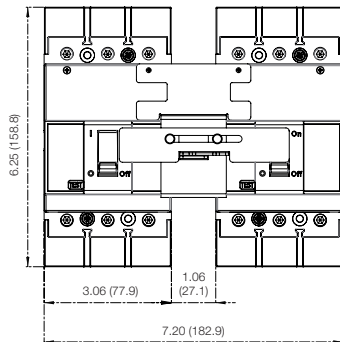


Dimensions - Inch (mm)

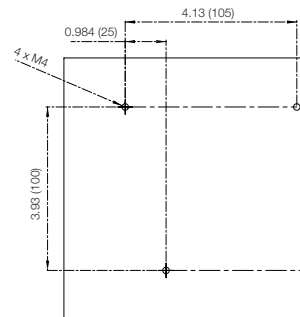
Accessories

BLIM - Mechanical Interlock

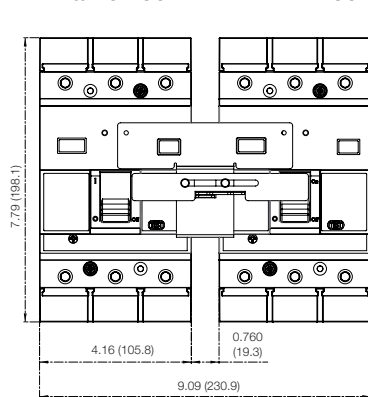
2 x Frame 100 + BLIM DWB100 3P



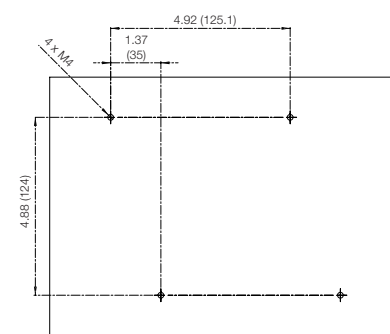
Drilling for Fixing



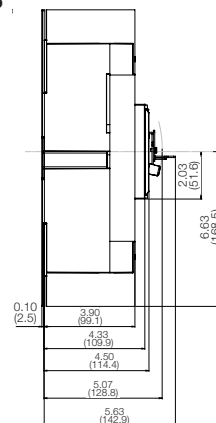
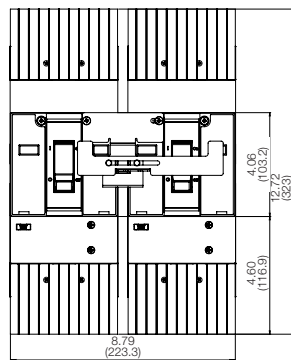
2 x Frame 250 + BLIM DWB250 3P



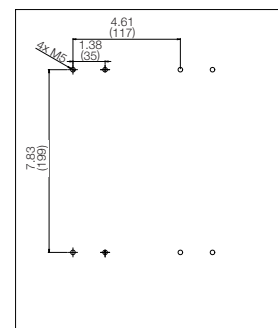
Drilling for Fixing



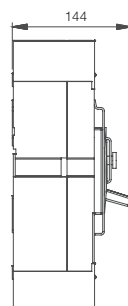
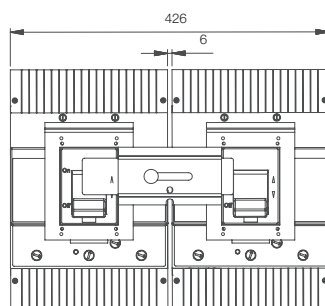
2 x Frame 400 + BLIM DWB400 3P



Drilling for Fixing



2 x Frame 600 + BLIM DWB600 3P



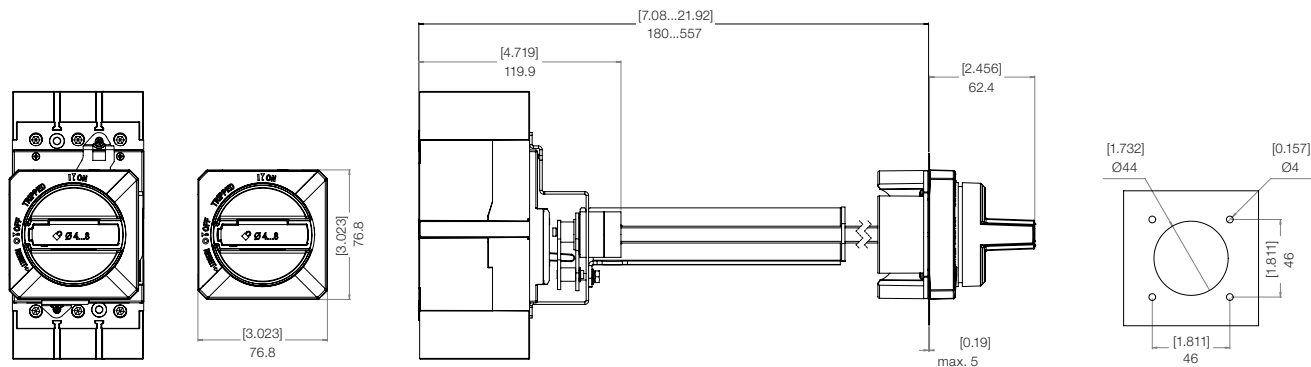
DWB

Dimensions - Inch (mm)

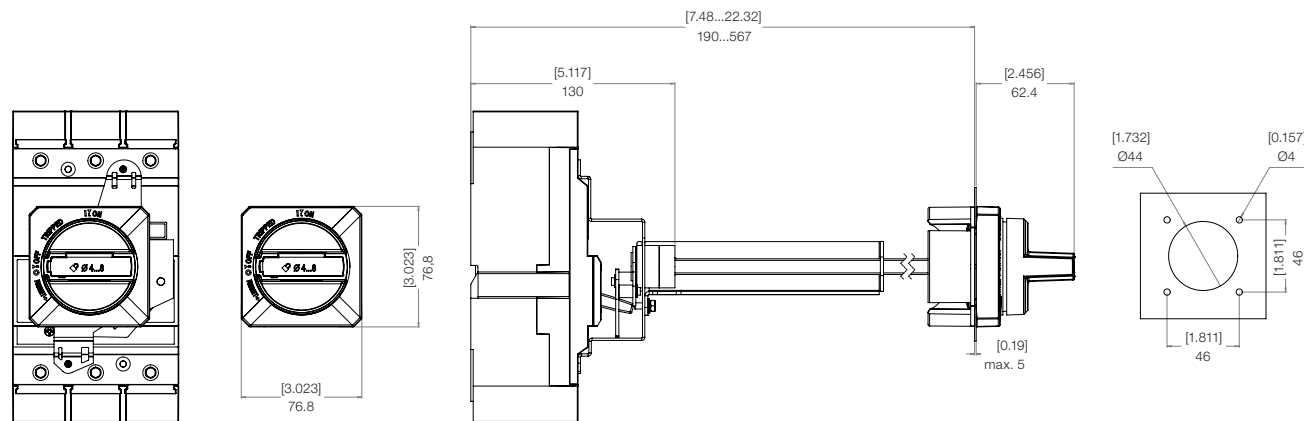
Accessories

MRX - Panel Door Rotary Operating Handles

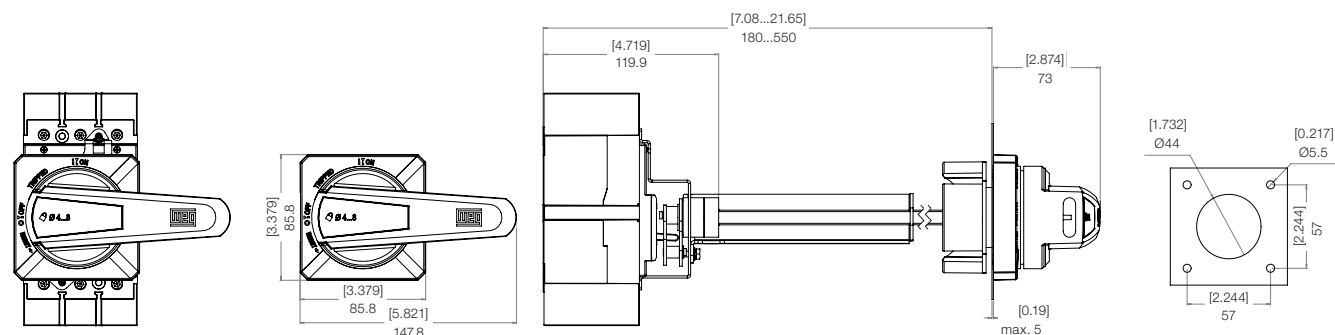
Frame 100 + MRXS DWB100



Frame 250 + MRXS DWB250



Frame 100 + MRXL DWB100

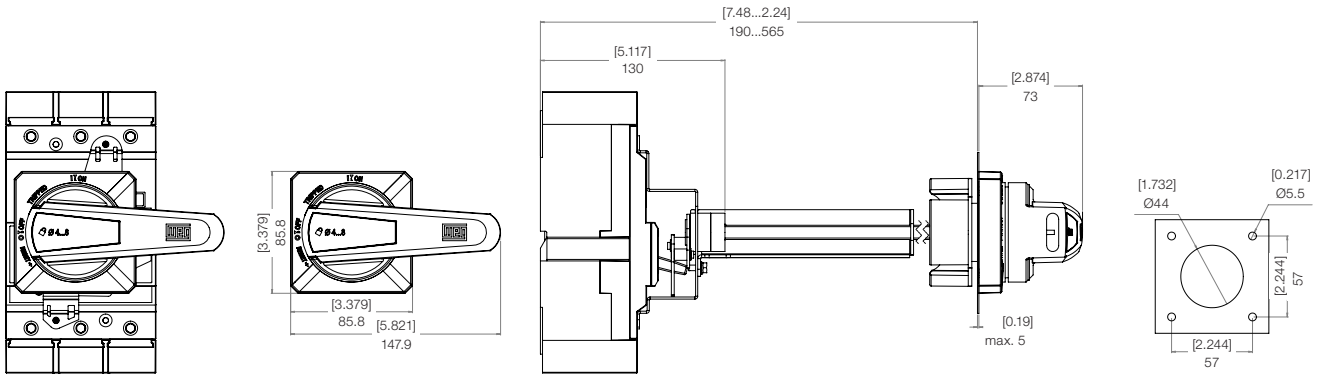


Dimensions - Inch (mm)

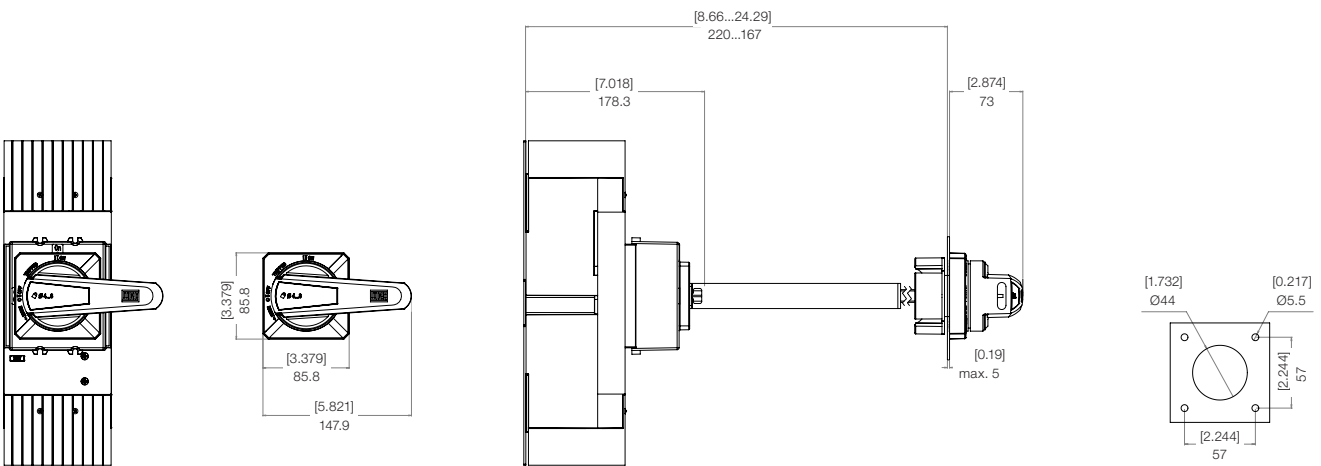
Accessories

MRX - Panel Door Rotary Operating Handles

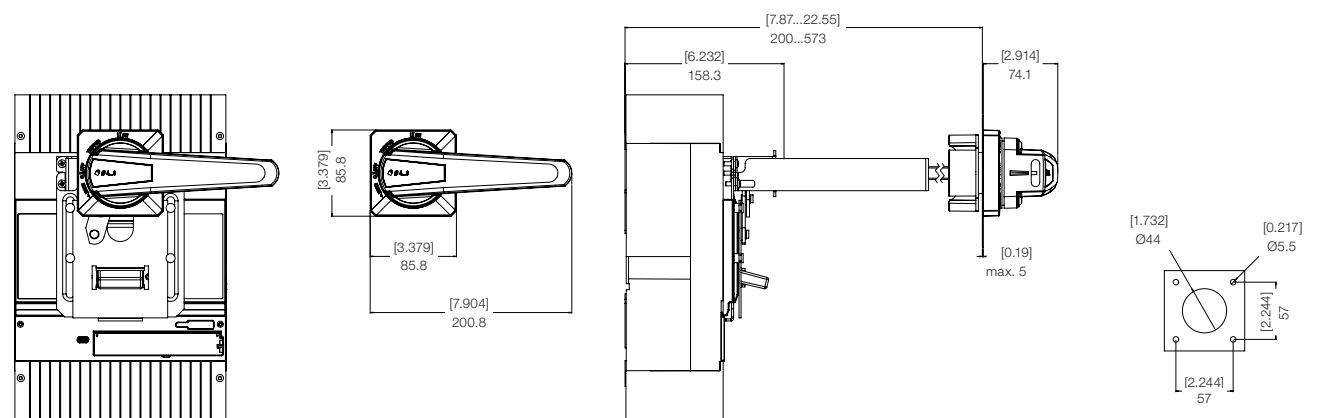
Frame 250 + MRXL DWB250



Frame 400 + MRXL DWB400



Frame 600 + MRXL DWB600



General Information

Circuit Protection

Disconnect Switches

Motor Protectors

Contactors

Overloads

Enclosed Starters

Relays

Pushbuttons and Pilot Lights

Terminal Blocks

Power Factor Correction

Appendix A

Appendix B

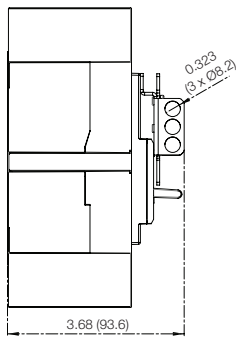
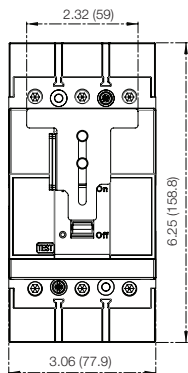
DWB

Dimensions - Inch (mm)

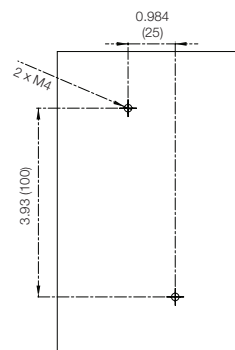
Accessories

PLW - Lock-OFF Devices

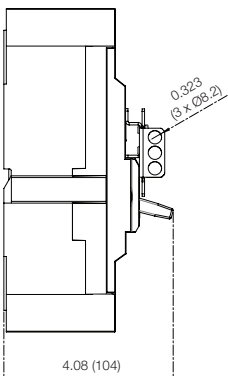
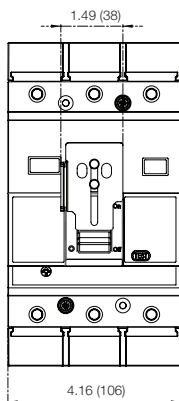
Frame 100 + PLW DWB100 3P



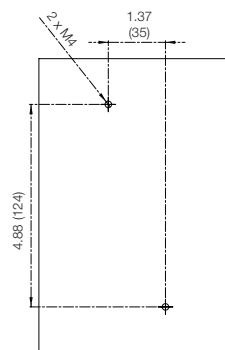
Panel Door Cutout



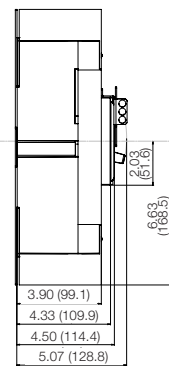
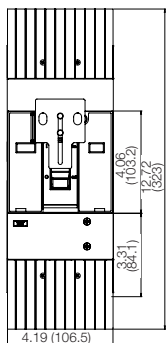
Frame 250 + PLW DWB250



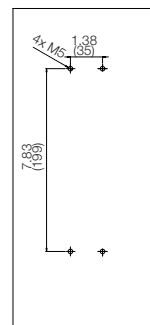
Panel Door Cutout



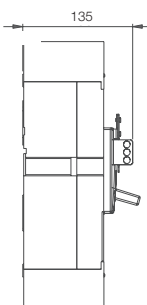
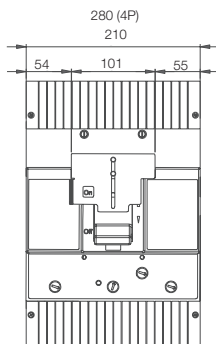
Frame 400 + PLW DWB400



Panel Door Cutout



Frame 600 + PLW DWB600



General Information

Circuit Protection

Disconnect Switches

Motor Protectors

Contactors

Overloads

Enclosed Starters

Relays

Pushbuttons and Pilot Lights

Terminal Blocks

Power Factor Correction

Appendix A

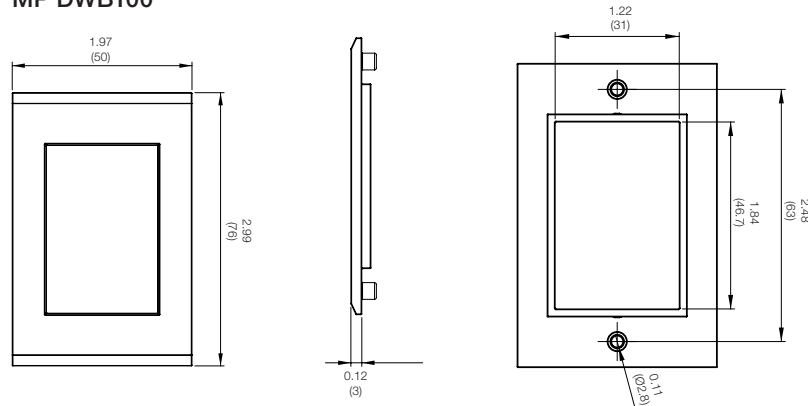
Appendix B

Dimensions - Inch (mm)

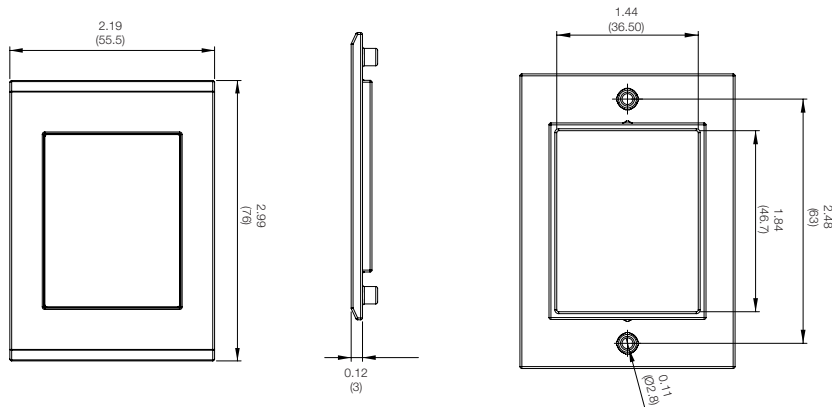
Accessories

MP - Escutcheons

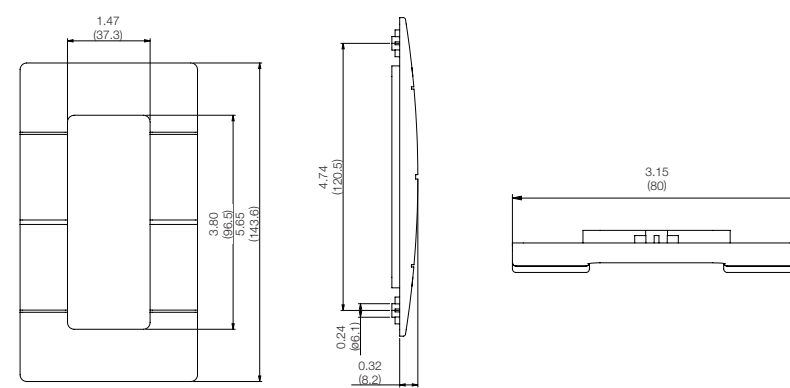
MP DWB100



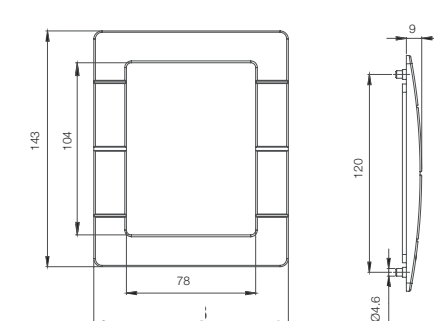
MP DWB250



MP DWB400



MP DWB600



General Information

Circuit Protection

Disconnect Switches

Motor Protectors

Contactors

Overloads

Enclosed Starters

Relays

Pushbuttons and Pilot Lights

Terminal Blocks

Power Factor Correction

Appendix A

Appendix B

Circuit Protection

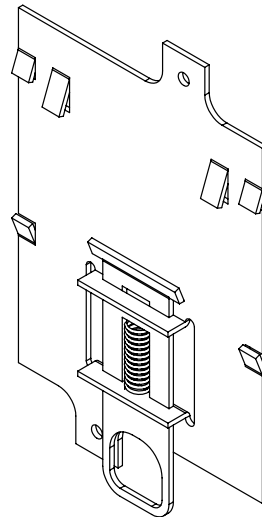
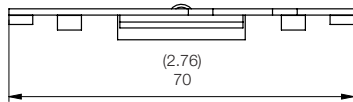
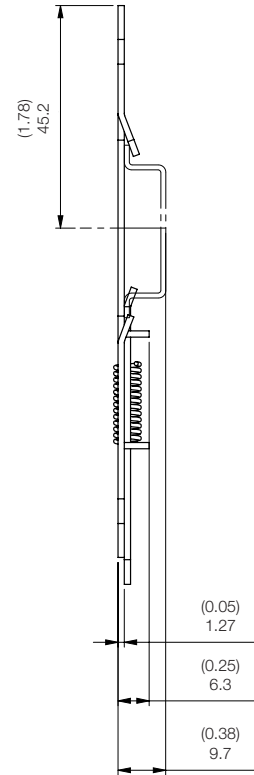
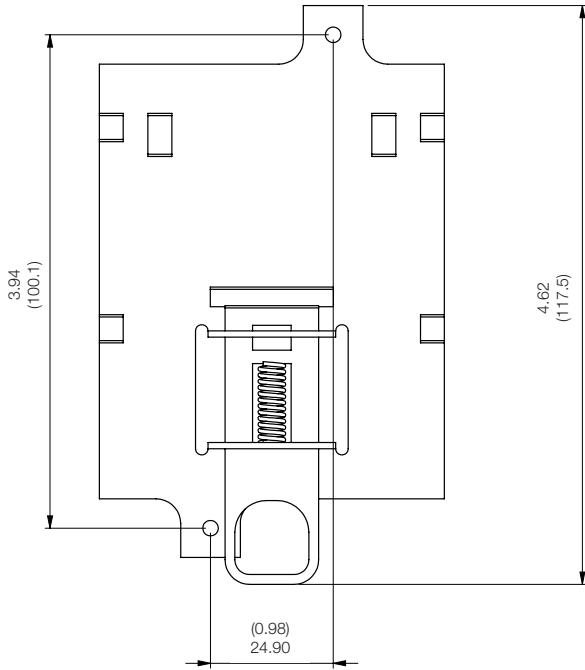
DWB

Dimensions - Inch (mm)

Accessories

BFR - DIN Rail Base

BFR DWB100 3P UL



General Information

Circuit Protection

Disconnect Switches

Motor Protectors

Contactors

Overloads

Enclosed Starters

Relays

Pushbuttons and Pilot Lights

Terminal Blocks

Power Factor Correction

Appendix A

Appendix B

UBW

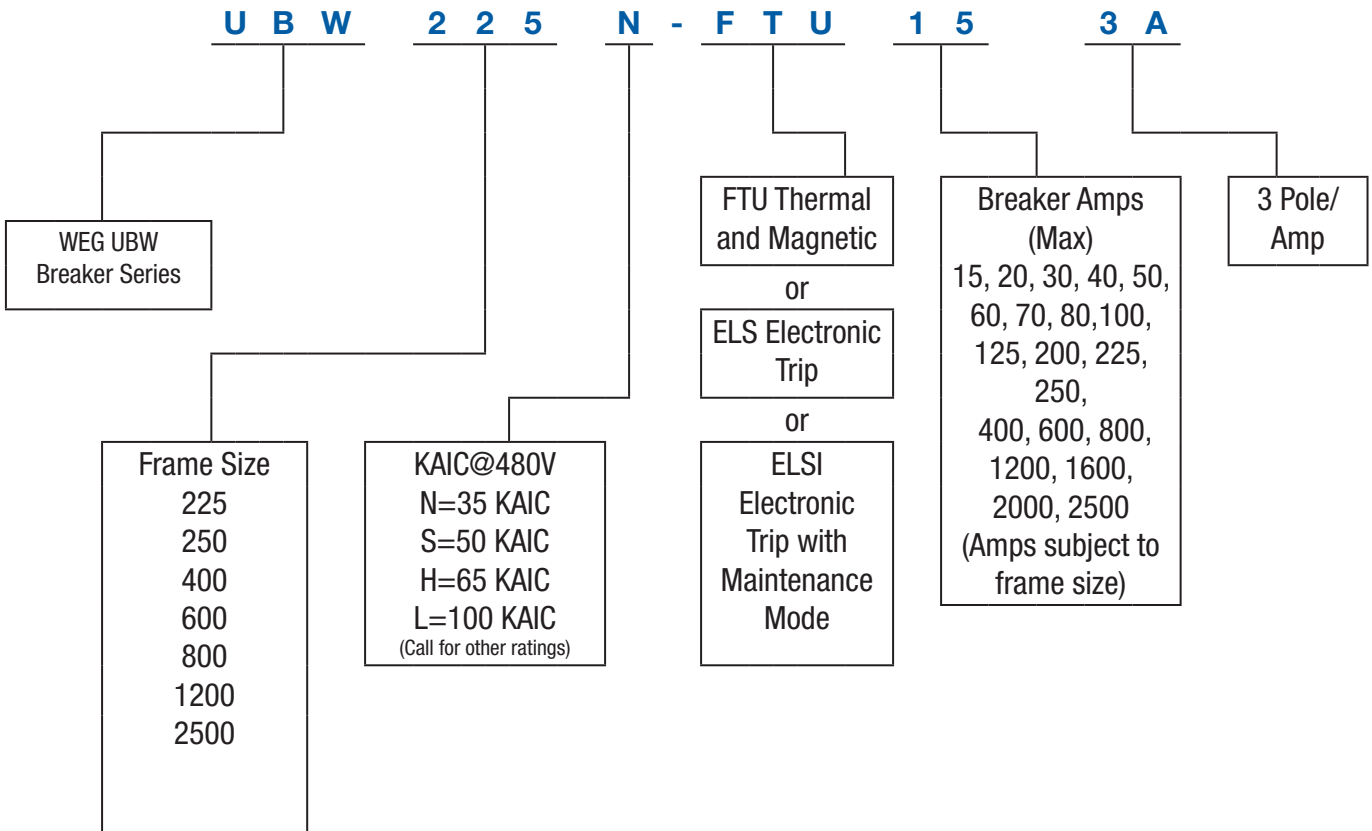
Molded-Case Circuit Breaker UL 489 Listed



The WEG UBW Series of Molded Case Circuit Breakers are designed to provide short circuit and thermal protection for industrial electrical equipment. Increased frame sizes and amperages cover more applications and when combined with our complete line of Automation/Control products, provide customers a one stop shop for all their panel needs. The UBW product line ranges from 15A to 2500A and SCCR ratings for 35-100 KAIC to meet more of your application requirements. The UBW line offers the quality, reliability and uncompromising protection that you have come to expect from WEG.

Standard Features:

- Broad product offering up to 2500 Amps
- Multiple SCCR Ratings up to 100 KIAC Ratings
- Maintenance mode for superior Arc Flash Protection
- Field or Factory installed options
- Optional multi-conductor load side lugs



**If ordering with factory installed options replace 3A with alpha numeric option code sequence*

UBW

225 Frame- - Line and load side lugs included



UBW225 Frame - Fixed Thermal / Fixed Magnetic

Thermal Setting	Short Circuit Interrupting Capacity		Catalog Number	List Price	Multiplier
	(A)	480VAC			
15	35kA	18kA	UBW225N-FTU15-3A	\$665	Z10
20			UBW225N-FTU20-3A	\$665	Z10
30			UBW225N-FTU30-3A	\$665	Z10
40			UBW225N-FTU40-3A	\$665	Z10
50			UBW225N-FTU50-3A	\$665	Z10
60			UBW225N-FTU60-3A	\$665	Z10
70			UBW225N-FTU70-3A	\$665	Z10
80			UBW225N-FTU80-3A	\$728	Z10
100			UBW225N-FTU100-3A	\$728	Z10
125			UBW225N-FTU125-3A	\$1,100	Z10
150	UBW225N-FTU150-3A	\$1,550	Z10		
200	UBW225N-FTU200-3A	\$1,550	Z10		
225	UBW225N-FTU225-3A	\$1,550	Z10		
15	65kA	25kA	UBW225H-FTU15-3A	\$965	Z10
20			UBW225H-FTU20-3A	\$965	Z10
30			UBW225H-FTU30-3A	\$965	Z10
40			UBW225H-FTU40-3A	\$965	Z10
50			UBW225H-FTU50-3A	\$965	Z10
60			UBW225H-FTU60-3A	\$965	Z10
70			UBW225H-FTU70-3A	\$965	Z10
80			UBW225H-FTU80-3A	\$1,055	Z10
100			UBW225H-FTU100-3A	\$1,055	Z10
125			UBW225H-FTU125-3A	\$1,450	Z10
150	UBW225H-FTU150-3A	\$2,050	Z10		
200	UBW225H-FTU200-3A	\$2,050	Z10		
225	UBW225H-FTU225-3A	\$2,050	Z10		
15	100kA	35kA	UBW225L-FTU15-3A	\$1,200	Z10
20			UBW225L-FTU20-3A	\$1,200	Z10
30			UBW225L-FTU30-3A	\$1,200	Z10
40			UBW225L-FTU40-3A	\$1,200	Z10
50			UBW225L-FTU50-3A	\$1,200	Z10
60			UBW225L-FTU60-3A	\$1,200	Z10
70			UBW225L-FTU70-3A	\$1,200	Z10
80			UBW225L-FTU80-3A	\$1,200	Z10
100			UBW225L-FTU100-3A	\$1,350	Z10
125			UBW225L-FTU125-3A	\$1,350	Z10
150	UBW225L-FTU150-3A	\$2,800	Z10		
200	UBW225L-FTU200-3A	\$2,400	Z10		
225	UBW225L-FTU225-3A	\$2,400	Z10		

UBW 250 400 600 800 Frame- - Line and load side lugs included



Frame 250 - Fixed Thermal / Adjustable Magnetic

Thermal Setting	KA Rating at 480VAC	Catalog Number	List Price	Multiplier
250	35	UBW250N-FTU250-3A	\$1,550	Z10
250	65	UBW250H-FTU250-3A	\$2,050	Z10
250	100	UBW250L-FTU250-3A	\$2,400	Z10

Frame 400 - Fixed Thermal / Adjustable Magnetic

300	35	UBW400N-FTU300-3A	\$3,000	Z10
400	35	UBW400N-FTU400-3A	\$3,000	Z10
300	65	UBW400H-FTU300-3A	\$3,700	Z10
400	65	UBW400H-FTU400-3A	\$3,700	Z10
300	100	UBW400L-FTU300-3A	\$4,700	Z10
400	100	UBW400L-FTU400-3A	\$4,700	Z10

Frame 600 - Fixed Thermal / Adjustable Magnetic

500	35	UBW600N-FTU500-3A	\$5,000	Z10
600	35	UBW600N-FTU600-3A	\$5,000	Z10
500	65	UBW600H-FTU500-3A	\$7,000	Z10
600	65	UBW600H-FTU600-3A	\$7,000	Z10
500	100	UBW600L-FTU500-3A	\$8,300	Z10
600	100	UBW600L-FTU600-3A	\$8,300	Z10

Frame 800 - Fixed Thermal / Adjustable Magnetic

800	50	UBW800S-FTU800-3A	\$6,000	Z10
800	65	UBW800H-FTU800-3A	\$8,000	Z10

Frame 1200 with Electronic Trip - Not supplied with lugs

800	50	UBW1200S-ELS800-3A	\$14,000.00	Z10
800	65	UBW1200H-ELS800-3A	\$17,950.00	Z10
800	100	UBW1200L-ELS800-3A	\$21,950.00	Z10
1200	50	UBW1200S-ELS1200-3A	\$21,300.00	Z10
1200	65	UBW1200H-ELS1200-3A	\$22,200.00	Z10
1200	100	UBW1200L-ELS1200-3A	\$23,500.00	Z10

Frame 1200 with Electronic Trip and Maintenance Mode - Not supplied with lugs

800	50	UBW1200S-ELSI800-3A	\$21,950.00	Z10
800	65	UBW1200H-ELSI800-3A	\$21,950.00	Z10
800	100	UBW1200L-ELSI800-3A	\$24,600.00	Z10
1200	50	UBW1200S-ELSI1200-3A	\$22,000.00	Z10
1200	65	UBW1200H-ELSI1200-3A	\$24,500.00	Z10
1200	100	UBW1200L-ELSI1200-3A	\$25,800.00	Z10

- General Information
- Circuit Protection
- Disconnect Switches
- Motor Protectors
- Contactors
- Overloads
- Enclosed Starters
- Relays
- Pushbuttons and Pilot Lights
- Terminal Blocks
- Power Factor Correction
- Appendix A
- Appendix B

UBW

UBW 2500 Frame



Frame 2500 with Electronic Trip - not supplied with lugs

Thermal Setting	KA Raing 480vac	Catalog Number	List	Multiplier
1600	65	UBW2500H-ELS1600-3A	\$29,600	Z10
1600	100	UBW2500L-ELS1600-3A	\$32,200	Z10
2000	65	UBW2500H-ELS2000-3A	\$30,700	Z10
2000	100	UBW2500L-ELS2000-3A	\$33,300	Z10
2500	65	UBW2500H-ELS2500-3A	\$32,400	Z10
2500	100	UBW2500L-ELS2500-3A	\$35,200	Z10

Frame 2500 with Electronic Trip and Maintenance Mode

Thermal Setting	KA Raing 480vac	Catalog Number	List	Multiplier
1600	65	UBW2500H-ELSI1600-3A	\$32,300	Z10
1600	100	UBW2500L-ELSI1600-3A	\$34,900	Z10
2000	65	UBW2500H-ELSI2000-3A	\$33,300	Z10
2000	100	UBW2500L-ELSI2000-3A	\$36,000	Z10
2500	65	UBW2500H-ELSI2500-3A	\$35,000	Z10
2500	100	UBW2500L-ELSI2500-3A	\$37,900	Z10

General Information

Circuit Protection

Disconnect Switches

Motor Protectors

Contactors

Overloads

Enclosed Starters

Relays

Pushbuttons and Pilot Lights

Terminal Blocks

Power Factor Correction



Appendix A

Appendix B

UBW Breaker Accessories




225 Frame Factory Installed only

How to order - Example

 UBW225H-FU25-3A List \$965.00	 AX-UBW225 List \$699.50	$\$965 + \$699.50 = \$1664.50$	Use Z10 Multiplier	
Suffix for Factory Installation	WEG Catalog Number	Description	List	Multiplier
A1	AX UBW225	AUXILIARY SWITCH	\$699.05	Z10
A2	AL UBW225	ALARM SWITCH	\$699.05	
A3	AXAL UBW225	AUX/ALARM SWITCH	\$782.00	
S	SHT UBW225 E59	SHUNT TRIP 12-24AC/DC	\$787.14	
SS	SHT UBW225 E58	SHUNT TRIP 48-120AC/48-60DC	\$787.14	
S0	SHT UBW225 E62	SHUNT TRIP 208-380AC/110-127DC	\$787.14	
11	UVT UBW225 C03	UNDERVOLTAGE RELEASE 24DC	\$787.14	
12	UVT UBW225 D60	UNDERVOLTAGE RELEASE 110-125AC	\$787.14	
13	UVT UBW225 D96	UNDERVOLTAGE RELEASE 208-240AC	\$787.14	

250-2500 Frame with Options

How to order - Example

 UBW250 - 2500 Frame List \$	 AX-UBW250 - 2500 List \$	 Installation Charge List \$ (optional)	List Prices Totalled	Apply Z10 Multiplier for Final Price
--	---	---	----------------------	---

UBW250 Frame Options

Suffix for Factory Installation	WEG Catalog Number	Description	List	Install List	Multiplier
A1	AX UBW250	AUXILIARY SWITCH	\$445.71	\$350.00	Z10
A2	AL UBW250	ALARM SWITCH	\$445.71	\$350.00	
A3	AXAL UBW250	AUX/ALARM SWITCH	\$527.14	\$350.00	
S1	SHT UBW250 E59	SHUNT TRIP 12-24AC/DC	\$587.14	\$350.00	
S2	SHT UBW250 E61	SHUNT TRIP 100-240AC/110-125DC	\$587.14	\$350.00	
21	UVT UBW250 C03	UNDERVOLTAGE RELEASE 24DC	\$587.14	\$350.00	
22	UVT UBW250 D60	UNDERVOLTAGE RELEASE 110-125AC	\$587.14	\$350.00	
23	UVT UBW250 D96	UNDERVOLTAGE RELEASE 208-240AC	\$587.14	\$350.00	

UBW400 Frame Options - See above for How to Order

Suffix for Factory Installation	WEG Catalog Number	Description	List	Install List	Multiplier
A1	AX UBW400	AUXILIARY SWITCH	\$557.41	\$350.00	Z10
A2	AL UBW400	ALARM SWITCH	\$557.41	\$350.00	
A3	AXAL UBW400	AUX/ALARM SWITCH	\$628.29	\$350.00	
S1	SHT UBW400 E59	SHUNT TRIP 12-24AC/DC	\$627.43	\$350.00	
S2	SHT UBW400 E61	SHUNT TRIP 100-240AC/110-125DC	\$627.43	\$350.00	
21	UVT UBW400 C03	UNDERVOLTAGE RELEASE 24DC	\$627.43	\$350.00	
22	UVT UBW400 D60	UNDERVOLTAGE RELEASE 110-125AC	\$627.43	\$350.00	
23	UVT UBW400 D96	UNDERVOLTAGE RELEASE 208-240AC	\$627.43	\$350.00	

Example of factory installed catalog number : UBW225N-FU20-3A-A1

UBW

UBW800 Frame Options - See Previous Page for How to Order

Suffix for Factory Installation	WEG Catalog Number	Description	List	Install List	Multiplier
A1	AX UBW800^	AUXILIARY SWITCH	\$698.67	\$450.00	Z10
A2	AL UBW800^	ALARM SWITCH	\$698.67	\$450.00	
A3	AXAL UBW800^	AUX/ALARM SWITCH	\$772.29	\$450.00	
S5	SHT UBW800 E60^	SHUNT TRIP 9-24AC/12-24DC	\$873.24	\$450.00	
S6	SHT UBW8000 D95^	SHUNT TRIP 100-240AC	\$873.24	\$450.00	
41	UVT UBW800 C03^	UNDERVOLTAGE RELEASE 24DC	\$873.24	\$450.00	
42	UVT UBW80 D60^	UNDERVOLTAGE RELEASE 110-127AC	\$873.24	\$450.00	
43	UVT UBW800 D96^	UNDERVOLTAGE RELEASE 208-240AC	\$873.24	\$450.00	

UBW1200 Frame Options - See Previous Page for How to Order

Suffix for Factory Installation	WEG Catalog Number	Description	List	Install List	Multiplier
A1	AX UBW1200	AUXILIARY SWITCH	\$771.43	\$650.00	Z10
A2	AL UBW1200	ALARM SWITCH	\$771.43	\$650.00	
A3	AXAL UBW1200	AUX/ALARM SWITCH	\$865.71	\$650.00	
S7	SHT UBW1200 E60	SHUNT TRIP 9-24AC/12-24DC	\$964.29	\$650.00	
S8	SHT UBW1200 D95	SHUNT TRIP 100-240AC	\$964.29	\$650.00	
51	UVT UBW1200 C03	UNDERVOLTAGE RELEASE 24DC	\$964.29	\$650.00	
52	UVT UBW1200 D60	UNDERVOLTAGE RELEASE 110-127AC	\$964.29	\$650.00	
53	UVT UBW1200 D96	UNDERVOLTAGE RELEASE 208-240AC	\$964.29	\$650.00	

UBW2500 Frame Options - See Previous Page for How to Order

Suffix for Factory Installation	WEG Catalog Number	Description	List	Install List	Multiplier
A1	AX UBW2500	AUXILIARY SWITCH	\$1,034.19	\$650.00	Z10
A2	AL UBW2500	ALARM SWITCH	\$1,034.19	\$650.00	
S9	SHT UBW2500 E26	SHUNT TRIP 24AC/DC	\$1,157.14	\$650.00	
S10	SHT UBW1200 D95	SHUNT TRIP 100-240AC	\$1,157.14	\$650.00	
61	UVT UBW2500 C03	UNDERVOLTAGE RELEASE 24DC	\$1,157.14	\$650.00	
62	UVT UBW2500 D60	UNDERVOLTAGE RELEASE 110-127AC	\$1,157.14	\$650.00	
63	UVT UBW2500 D96	UNDERVOLTAGE RELEASE 208-240AC	\$1,157.14	\$650.00	

Example of factory installed catalog number : UBW225N-FTU20-3A-A1

Note: Only one tripping accessory per Breaker regardless of frame size.

General Information

Circuit Protection

Disconnect Switches

Motor Protectors

Contactors

Overloads

Enclosed Starters

Relays

Pushbuttons and Pilot Lights

Terminal Blocks

Power Factor Correction

Appendix A

Appendix B

Lugs

All WEG UBW Circuit Breaker supplied with Line/Load Lugs



	FRAME	PART NUMBER	CONDUCTOR COUNT	WIRE SIZE RANGE	LUGS COUNT WHEN SOLD SEPARATELY	LIST PRICE	MULTIPLIER
Standard Lugs	"225 <= 100A"	"LT3-UBW225 (SLOTTED HEAD)"	1	14-1/0*	3	\$274.29	Z10
	"225 >100A"	"LT3-UBW225 (3/16" SOCKET HEAD)"	1	4-4/0	3		
	250	LT1-UBW250	1	4-350	1	\$73.09	Z10
	400 (300A)	LT1-UBW400	1	250-500	1	\$65.52	Z10
	400 (400A)	LT3-UBW400	2	3/0-250	3	\$196.57	Z10
	600 (500A)	LT3-UBW600	2	3/0-350	3	\$310.86	Z10
	600 (600A)	LT3D-UBW600	2	400-500	3	?	?
	800	LT1A2-UBW800	3	3/0-400	1	\$172.19	Z10
Optional Lugs	225	WT3-UBW225	3	14-2	3	\$212.10	Z10
	225	WT6-UBW225	6	14-6	3	\$212.10	Z10
	250	WT3-UBW250	3	14-2	3	\$370.76	Z10
	250	WT6-UBW250	6	14-6	3	\$370.76	Z10
	400	WT3-UBW400	3	12-2/0	1	\$382.29	Z10
	400	WT6-UBW400	6	14-3	1	\$382.29	Z10
	600	LT3D-UBW400	1	4/0-600	3	\$252.95	Z10
	600	LT1D-UBW450	2	4-4/0	1	\$156.95	Z10
	800	LT1A1-UBW700	2	1-500	1	\$126.48	Z10
	800	LT1A-UBW800	2	500-750	1	\$219.63	Z10
	1200	LT1B2-UBW700	2	1-500	1	\$121.50	Z10
	1200	LT1B3-UBW1000	3	3/0-400	1	\$163.79	Z10
	1200	LT1B4-UBW1200	4	4/0-500	1	\$230.14	Z10
	1200	LT1B3-UBW1200	3	500-750	1	\$243.00	Z10
	2500	LT1A-UBW1600	4	500-1000	1	\$333.71	Z10
	2500	LT1C-UBW1600	4	1-600	1	\$530.29	Z10
	2500	LT3-UBW2000	6	2-600	9	\$3,771.43	?
	2500	RT1-UBW2000	4	1-600	1	\$299.57	Z10
2500	RT1-UBW2500	6	2-600	1	\$641.14	Z10	

Note:

1) Power Distribution lugs for installation on load side only

*For Conductor size on UBW225 100AMP Lug and below contact WEG

General Information

Circuit Protection

Disconnect Switches

Motor Protectors

Contactors

Overloads

Enclosed Starters

Relays

Pushbuttons and Pilot Lights

Terminal Blocks

Power Factor Correction

Appendix A

Appendix B



Handle/Mechanism/Shafts NEMA 1/3R/12

Part Number	Description	List	Multiplier
EHC6-UBW225	Handle + Mechanism + Shaft 6"	\$372.86	Z10
EHC12-UBW225	Handle + Mechanism + Shaft 12"	\$384.29	Z10
EHC16-UBW225	Handle + Mechanism + Shaft 16"	\$410.00	Z10
EHC24-UBW225	Handle + Mechanism + Shaft 24"	\$437.33	Z10
EHC6-UBW250	Handle + Mechanism + Shaft 6"	\$285.71	Z10
EHC12-UBW250	Handle + Mechanism + Shaft 12"	\$397.24	Z10
EHC16-UBW250	Handle + Mechanism + Shaft 16"	\$497.90	Z10
EHC24-UBW250	Handle + Mechanism + Shaft 24"	\$517.43	Z10
EHC6-UBW400	Handle + Mechanism + Shaft 6"	\$393.33	Z10
EHC12-UBW400	Handle + Mechanism + Shaft 12"	\$407.71	Z10
EHC16-UBW400	Handle + Mechanism + Shaft 16"	\$482.29	Z10
EHC24-UBW400	Handle + Mechanism + Shaft 24"	\$530.95	Z10
EHC6-UBW800^	Handle + Mechanism + Shaft 6"	\$544.76	Z10
EHC12-UBW800^	Handle + Mechanism + Shaft 12"	\$557.05	Z10
EHC16-UBW800^	Handle + Mechanism + Shaft 16"	\$650.19	Z10
EHC24-UBW800^	Handle + Mechanism + Shaft 24"	\$679.43	Z10
EHC6-UBW1200	Handle + Mechanism + Shaft 6"	\$656.33	Z10
EHC12-UBW1200	Handle + Mechanism + Shaft 12"	\$573.05	Z10
EHC16-UBW1200	Handle + Mechanism + Shaft 16"	\$679.43	Z10
EHC24-UBW1200	Handle + Mechanism + Shaft 24"	\$709.76	Z10

^ For both UBW600 and UBW800 products

Note: UBW 2500 utilizes flange mount mechanism only. Rotary handle is not available.

General Information

Circuit Protection

Disconnect Switches

Motor Protectors

Contactors

Overloads

Enclosed Starters

Relays

Pushbuttons and Pilot Lights

Terminal Blocks

Power Factor Correction

Appendix A

Appendix B

Handle/Mechanism/Shafts NEMA 4/4X

Part Number	Description	List	Multiplier
EHC6X-UBW225	Handle + Mechanism + Shaft 6"	\$468.57	Z10
EHC12X-UBW225	Handle + Mechanism + Shaft 12"	\$482.29	Z10
EHC16X-UBW225	Handle + Mechanism + Shaft 16"	\$536.95	Z10
EHC24X-UBW225	Handle + Mechanism + Shaft 24"	\$548.67	Z10
EHC6X-UBW250	Handle + Mechanism + Shaft 6"	\$548.67	Z10
EHC12X-UBW250	Handle + Mechanism + Shaft 12"	\$577.90	Z10
EHC16X-UBW250	Handle + Mechanism + Shaft 16"	\$613.05	Z10
EHC24X-UBW250	Handle + Mechanism + Shaft 24"	\$634.57	Z10
EHC6X-UBW400	Handle + Mechanism + Shaft 6"	\$549.67	Z10
EHC12X-UBW400	Handle + Mechanism + Shaft 12"	\$587.43	Z10
EHC16X-UBW400	Handle + Mechanism + Shaft 16"	\$622.57	Z10
EHC24X-UBW400	Handle + Mechanism + Shaft 24"	\$644.10	Z10
EHC6X-UBW800^	Handle + Mechanism + Shaft 6"	\$736.10	Z10
EHC12X-UBW800^	Handle + Mechanism + Shaft 12"	\$765.33	Z10
EHC16X-UBW800^	Handle + Mechanism + Shaft 16"	\$804.38	Z10
EHC24X-UBW800^	Handle + Mechanism + Shaft 24"	\$804.38	Z10
EHG6X-UBW1200	Handle + Mechanism + Shaft 6"	\$765.33	Z10
EHG12X-UBW1200	Handle + Mechanism + Shaft 12"	\$784.86	Z10
EHG16X-UBW1200	Handle + Mechanism + Shaft 16"	\$833.71	Z10
EHG24X-UBW1200	Handle + Mechanism + Shaft 24"	\$833.71	Z10

Note: UBW 2500 utilizes flange mount mechanism only. Rotary handle is not available.

^ For both UBW600 and UBW800 products

General Information

Circuit Protection

Disconnect Switches

Motor Protectors

Contactors

Overloads

Enclosed Starters

Relays

Pushbuttons and Pilot Lights

Terminal Blocks

Power Factor Correction

Appendix A

Appendix B



Flange Handle 1/3R/12

Part Number	Description	List	Multiplier
FHP3-UBW225	Flexible Shaft 3' Cable	\$871.11	Z10
FHP5-UBW225	Flexible Shaft 5' Cable	\$906.67	Z10
FHP6-UBW225	Flexible Shaft 6' Cable	\$933.33	Z10
FHP3-UBW250	Flexible Shaft 3' Cable	\$1,022.22	Z10
FHP5-UBW250	Flexible Shaft 5' Cable	\$1,056.00	Z10
FHP6-UBW250	Flexible Shaft 6' Cable	\$1,073.60	Z10
FHP3-UBW400	Flexible Shaft 3' Cable	\$1,102.22	Z10
FHP5-UBW400	Flexible Shaft 5' Cable	\$1,144.00	Z10
FHP6-UBW400	Flexible Shaft 6' Cable	\$1,160.44	Z10
FHP5-UBW800[^]	Flexible Shaft 5' Cable	\$1,379.92	Z10
FHP6-UBW800[^]	Flexible Shaft 6' Cable	\$1,442.04	Z10
FHP5-UBW1200	Flexible Shaft 5' Cable	\$1,426.76	Z10
FHP6-UBW1200	Flexible Shaft 6' Cable	\$1,591.11	Z10
FHP5-UBW2500	Flexible Shaft 5' Cable	\$1,608.62	Z10
FHP6-UBW2500	Flexible Shaft 6' Cable	\$1,648.71	Z10

[^] For both UBW600 and UBW800 products

Flange Handle 4/4X

Part Number	Description	List	Multiplier
FHP3X-UBW225	Flexible Shaft 3' Cable	\$945.78	Z10
FHP5X-UBW225	Flexible Shaft 5' Cable	\$1,057.76	Z10
FHP6X-UBW225	Flexible Shaft 6' Cable	\$1,070.22	Z10
FHP3X-UBW250	Flexible Shaft 3' Cable	\$1,141.07	Z10
FHP5X-UBW250	Flexible Shaft 5' Cable	\$1,186.04	Z10
FHP6X-UBW250	Flexible Shaft 6' Cable	\$1,191.47	Z10
FHP3X-UBW400	Flexible Shaft 3' Cable	\$1,228.71	Z10
FHP5X-UBW400	Flexible Shaft 5' Cable	\$1,259.28	Z10
FHP6X-UBW400	Flexible Shaft 6' Cable	\$1,264.89	Z10
FHP5X-UBW800[^]	Flexible Shaft 5' Cable	\$1,508.00	Z10
FHP6X-UBW800[^]	Flexible Shaft 6' Cable	\$1,536.44	Z10
FHP5X-UBW1200	Flexible Shaft 5' Cable	\$1,608.71	Z10
FHP6X-UBW1200	Flexible Shaft 6' Cable	\$1,626.22	Z10
FHP5X-UBW2500	Flexible Shaft 5' Cable	\$1,720.44	Z10
FHP6X-UBW2500	Flexible Shaft 6' Cable	\$1,763.11	Z10

[^] For both UBW600 and UBW800 products

General Information

Circuit Protection

Disconnect Switches

Motor Protectors

Contactors

Overloads

Enclosed Starters

Relays

Pushbuttons and Pilot Lights

Terminal Blocks

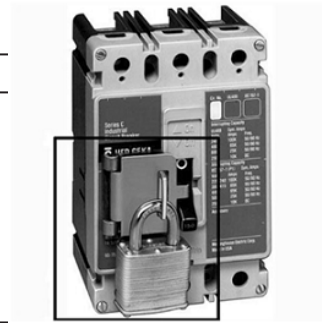
Power Factor Correction

Appendix A

Appendix B

WEG – On/Off Locking Mechanisms

Frame	Part Number	Padlock Style	List	Multiplier
225	HL-UBW225	HASP	\$106.76	Z10
250/400	HL-UBW400	HASP	\$118.19	
600	PL-UBW600	HASP	\$173.24	
800	PL-UBW800	HASP	\$188.43	
1200	HL-UBW1200	HASP	\$229.00	
2500	PL-UBW2500	HASP	\$314.10	



WEG Padlock - PL and HL

Direct Mount Handle

Frame	Part Number	List	Multiplier
225	DHI-UBW225	\$321.43	Z10
250	DHI-UBW250	\$321.43	
400	DHI-UBW400	\$347.14	
600 (500/600AMP)	DHI-UBW800	\$330.00	
600/800AMP	DHI-UBW600	\$330.00	
600/800AMP	EDHI-UBW800	\$53.81	
1200	EDHI-UBW1200	\$78.10	
2500	EDHI-UBW2500	\$104.10	



DHI Style



EDHI Style

General Information

Circuit Protection

Disconnect Switches

Motor Protectors

Contactors

Overloads

Enclosed Starters

Relays

Pushbuttons and Pilot Lights

Terminal Blocks

Power Factor Correction

Appendix A

Appendix B

UBW

Frame Size	225	250	400	600	800	1200	2500
Rated Current - In 40° C	15,20,30,40,50,60,70,80,100,125,200,225	250	300,400	500,600	800	800,1200	1600,2000,2500
No.Of Poles	3	3	3	3	3	3	3
Rated operational Voltage-Ue	600	600	600	600	600	600	600
Max Options	2*	2**	2**	2**	2**	2**	3***
Reference standard	UL489	UL489	UL489	UL489	UL489	UL489	UL489

*Factory Installed Only ** 1 Option-Right, 1 Option Left *** All Options Right Side Only

UL interrupting rating- Icu	N	H	L	
Frame 225	120VAC	65kA	100kA	200kA
	240VAC	65kA	100kA	200kA
	480VAC	35kA	65kA	100kA
	600VAC	18kA	25kA	35kA
Frame 250	120VAC	65kA	100kA	200kA
	240VAC	65kA	100kA	200kA
	480VAC	35kA	65kA	100kA
	600VAC	18kA	25kA	35kA
Frame 400	120VAC	65kA	100kA	200kA
	240VAC	65kA	100kA	200kA
	480VAC	35kA	65kA	100kA
	600VAC	25kA	35kA	65kA
Frame 600	120VAC	65kA	100kA	200kA
	240VAC	65kA	100kA	200kA
	480VAC	35kA	65kA	100kA
	600VAC	25kA	35kA	50kA
Frame 800		S	H	
	120VAC	65kA	100kA	
	240VAC	65kA	100kA	
	480VAC	50kA	65kA	
Frame 1200	600VAC	25kA	35kA	
		S	H	L
	120VAC	85kA	100kA	200kA
	240VAC	85kA	100kA	200kA
Frame 2500	480VAC	50kA	65kA	100kA
	600VAC	25kA	35kA	45kA
		N/A	H	L
	120VAC	N/A	125kA	200kA
Frame 2500	240VAC	N/A	125kA	200kA
	480VAC	N/A	65kA	100kA
	600VAC	N/A	50kA	65kA

Options available for all :

Frame Sizes:
Auxiliary Contacts*
Alarm Contacts*
Shunt Trip Units *
Undervoltage Trip Units*

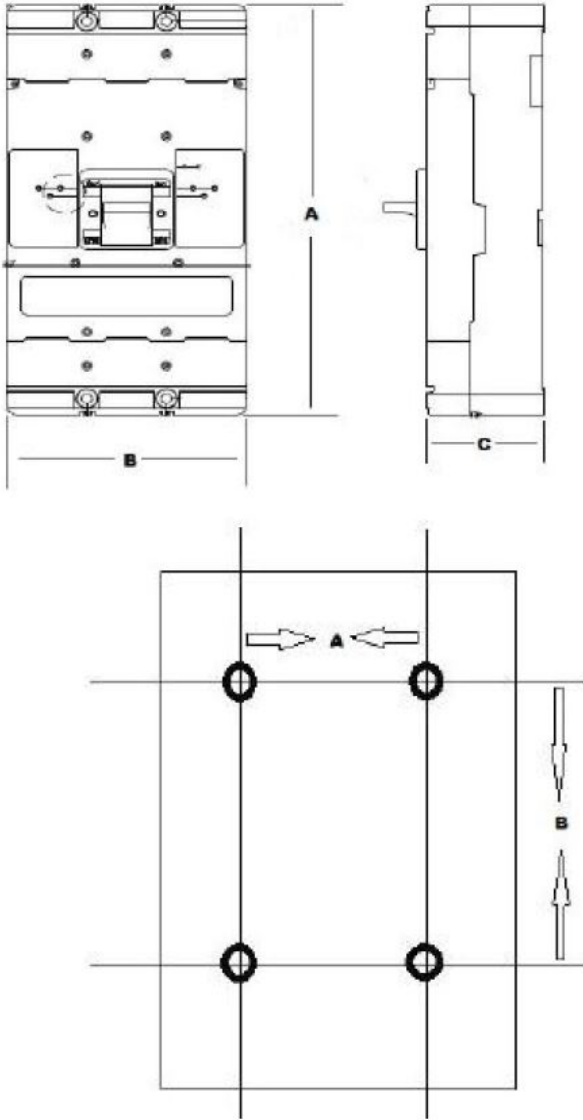
* 225 Frame must be Factory Installed

UL File No. E310239 for all frame sizes

UBW Quick View Dimensions

Outside Dimensions

Frames 225, 250, 400, 600, 800, 1200, 2500



Mounting Hole Dimensions

Frame	Dimensions	
	inches/mm	inches/mm
225	1.375/34.93	4.3/114.30
250	1.375/34.37	7.25/184.15
400	1.71/43.66	8.438/214.12
600	8.75/222.25	9.53/242.09
800	2.75/69.85	14.75/374.65
1200	2.75/69.85	18.43/374.65
2500	14.50/368.30	15.00/381.22

Overall Dimensions

Frame Size	A	B	C
	inches/mm	inches/mm	inches/mm
225	6/152	4.1/104	3.5/89
250	10/254	4.1/104	4.3/110
400	10.12/257	5.49/139	4.3/110
600	10.75/253.05	8.25/209.6	4/110
800	16/406.4	8.22/208.74	4.06/103.18
1200	16/406.4	8.25/209.55	5.5/139.7
2500	16/406.4	15.5/393.7	9/228.6

Mounting Hardware

Frame	Qty.	Std Bolt Size	metric
225	4	5/32-32	M4-0.70
250	4	1/4-20	M6-1.0
400	4	1/4-20	M6-1.0
600	4	1/4-20	M6-1.0
800	4	1/4-20	M6-1.0
1200*	4	5/16-18	M8-1.25
2500*	4	3/8-16	M11-150

* Supplied with Breakers

General Information

Circuit Protection

Disconnect Switches

Motor Protectors

Contactors

Overloads

Enclosed Starters

Relays

Pushbuttons and Pilot Lights

Terminal Blocks

Power Factor Correction

Appendix A

Appendix B

UBW

Dimensions Frame 225

General Information

Circuit Protection

Disconnect Switches

Motor Protectors

Contactors

Overloads

Enclosed Starters

Relays

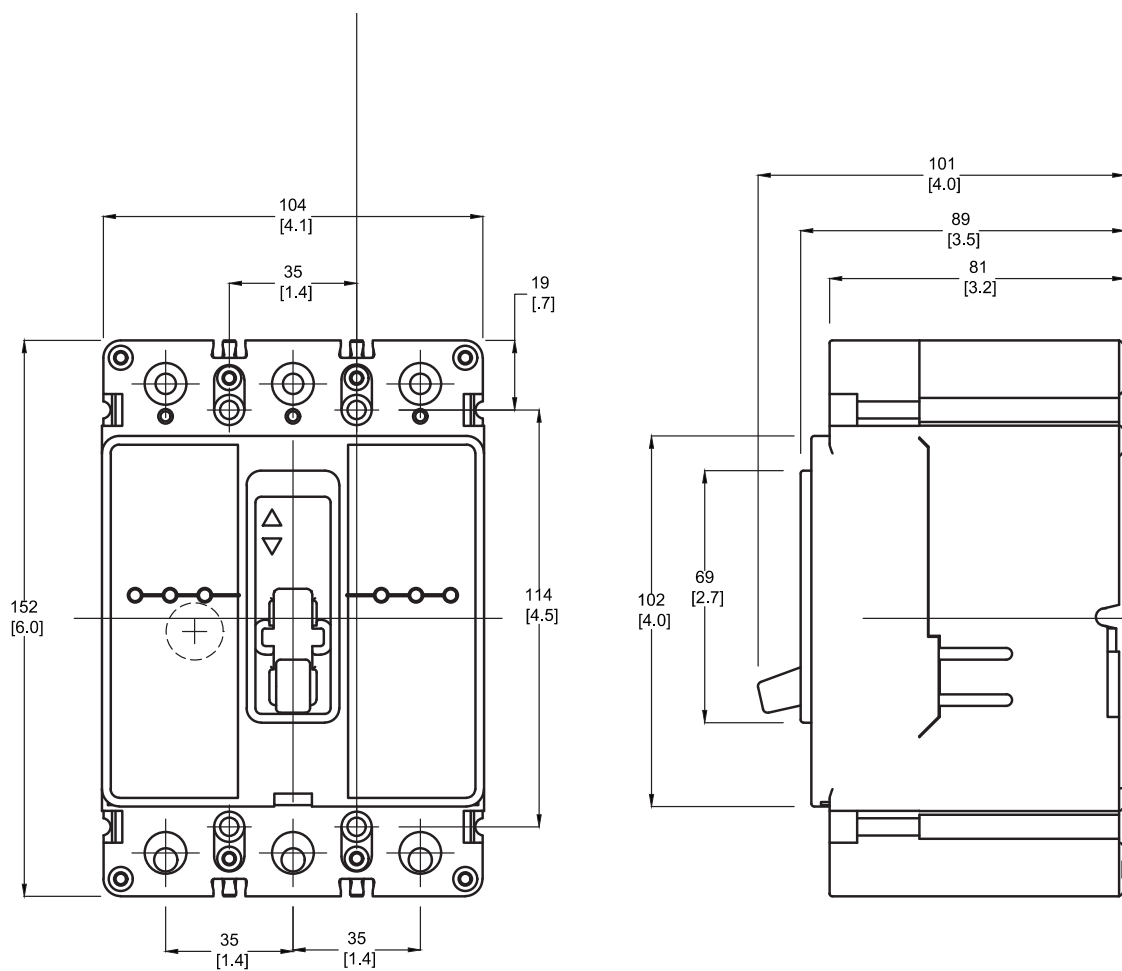
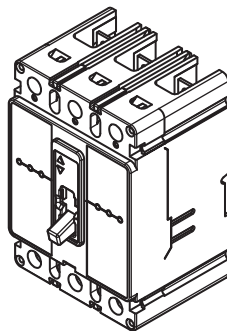
Pushbuttons and Pilot Lights

Terminal Blocks

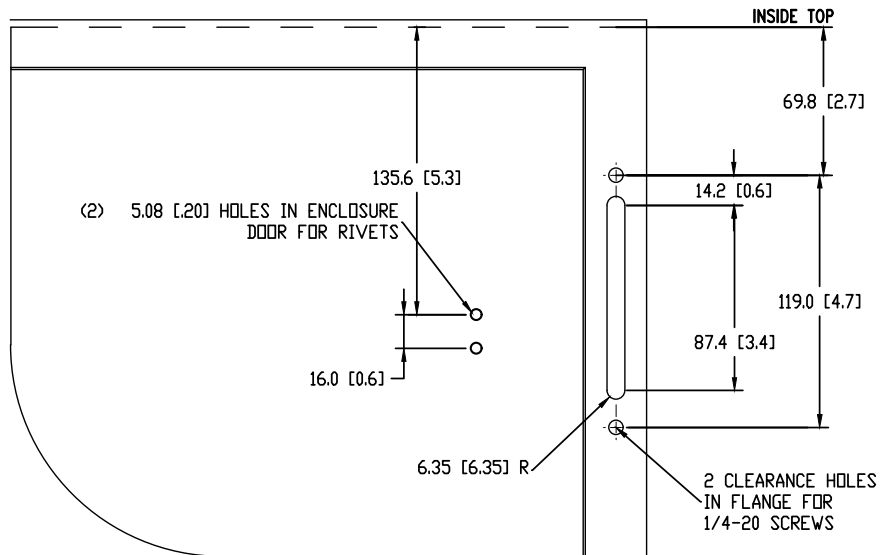
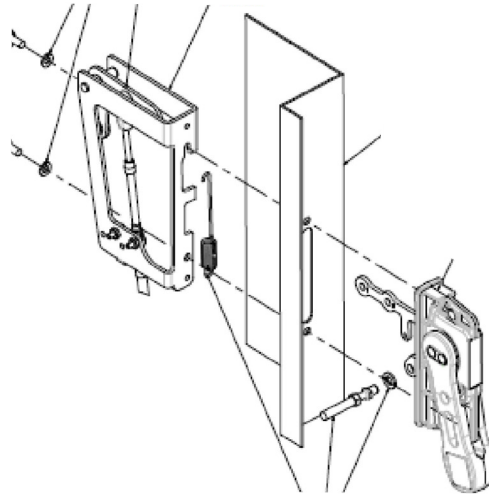
Power Factor Correction

Appendix A

Appendix B



Dimensions Frame 225 - Flange Handle



General Information

Circuit Protection

Disconnect Switches

Motor Protectors

Contactors

Overloads

Enclosed Starters

Relays

Pushbuttons and Pilot Lights

Terminal Blocks

Power Factor Correction

Appendix A

Appendix B

Dimensions Frame 225 - Rotary Handle

General Information

Circuit Protection

Disconnect Switches

Motor Protectors

Contactors

Overloads

Enclosed Starters

Relays

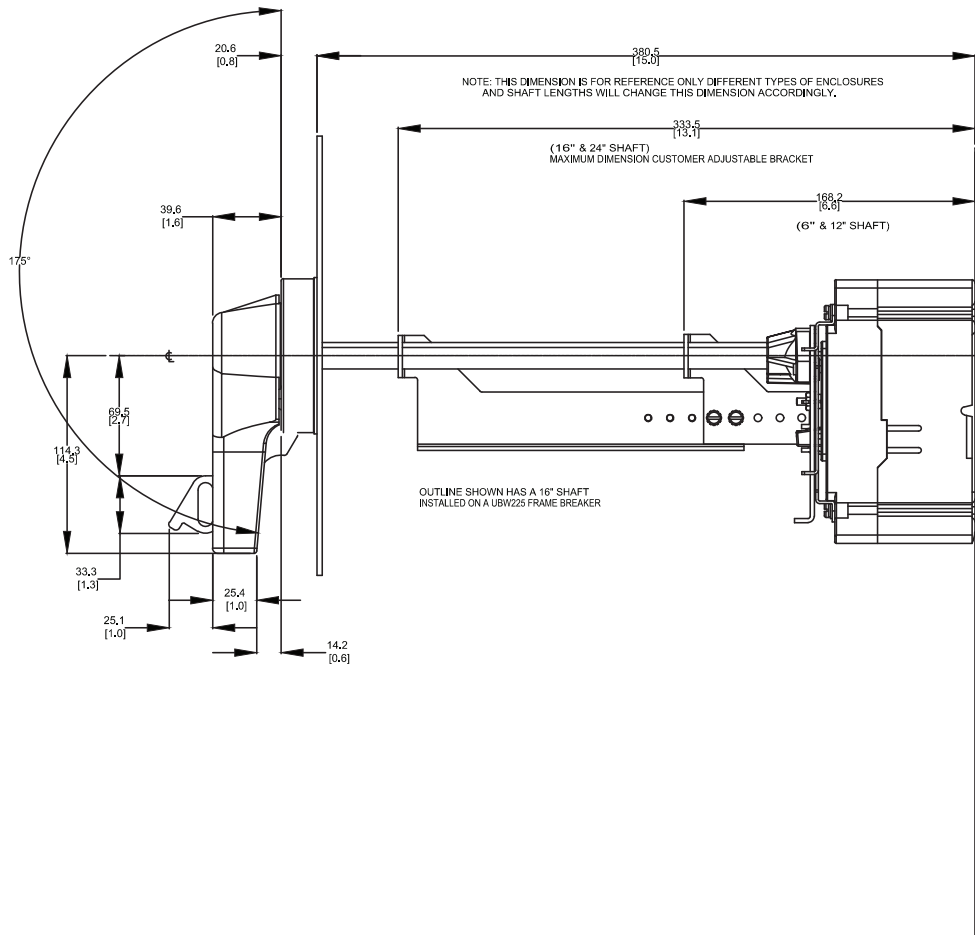
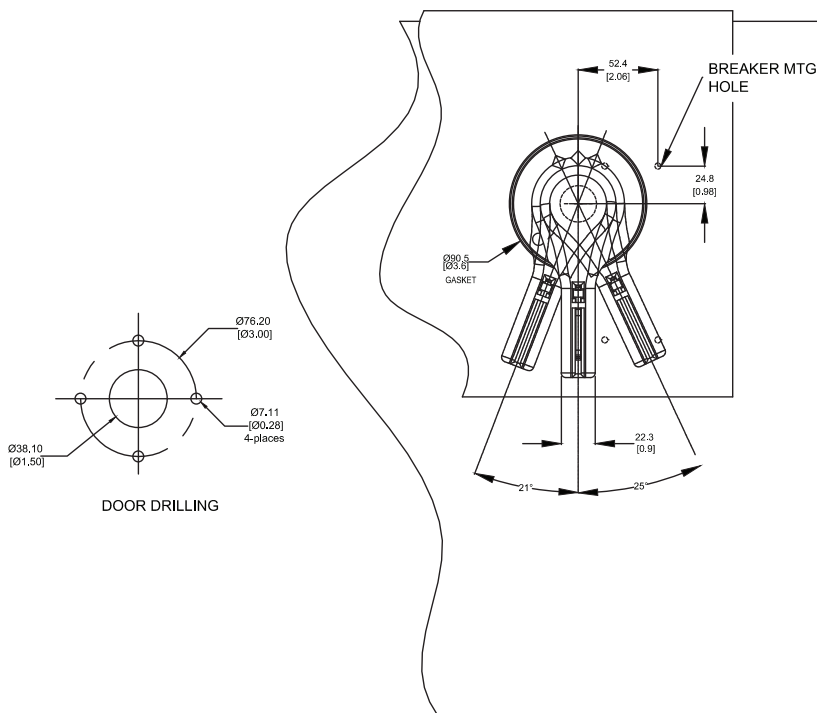
Pushbuttons and Pilot Lights

Terminal Blocks

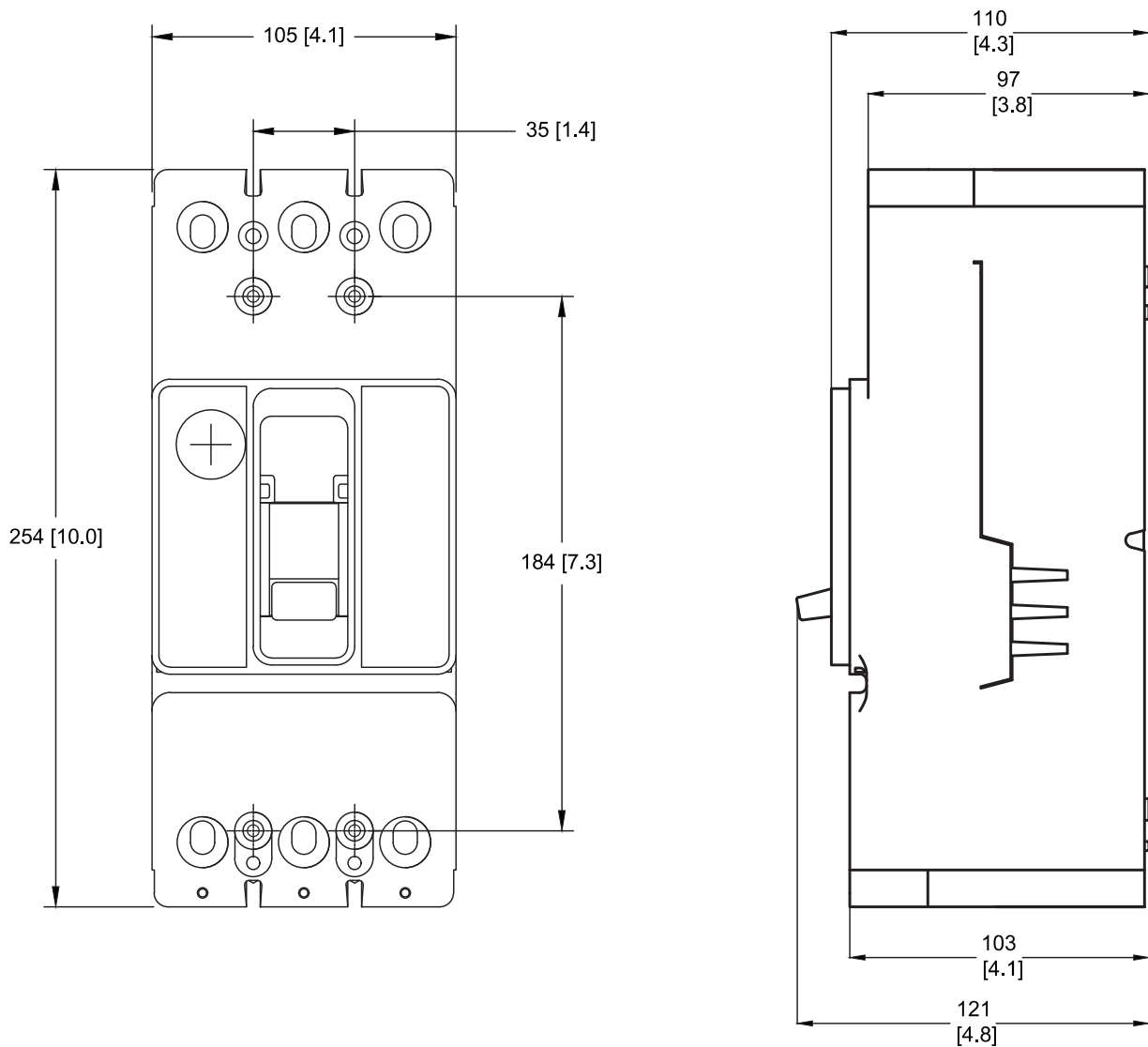
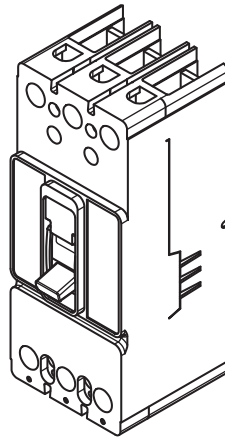
Power Factor Correction

Appendix A

Appendix B



Dimensions Frame 250



General Information

Circuit Protection

Disconnect Switches

Motor Protectors

Contactors

Overloads

Enclosed Starters

Relays

Pushbuttons and Pilot Lights

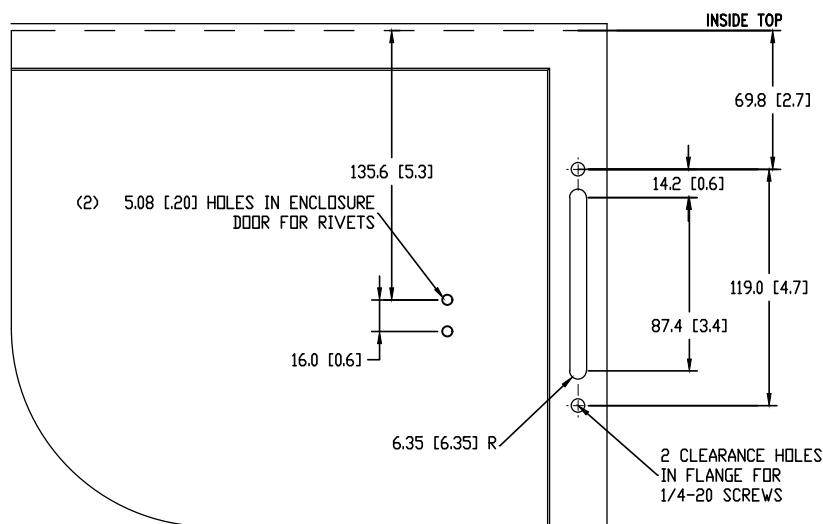
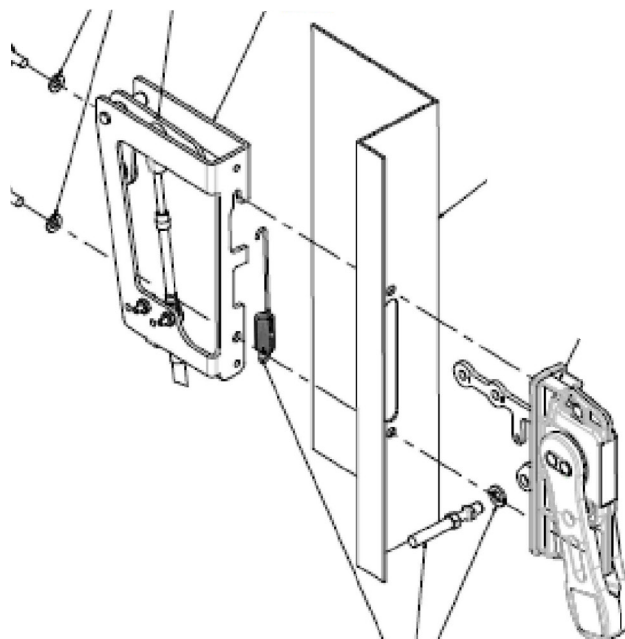
Terminal Blocks

Power Factor Correction

Appendix A

Appendix B

Dimensions Frame 250 - Flange Handle



General Information

Circuit Protection

Disconnect Switches

Motor Protectors

Contactors

Overloads

Enclosed Starters

Relays

Pushbuttons and Pilot Lights

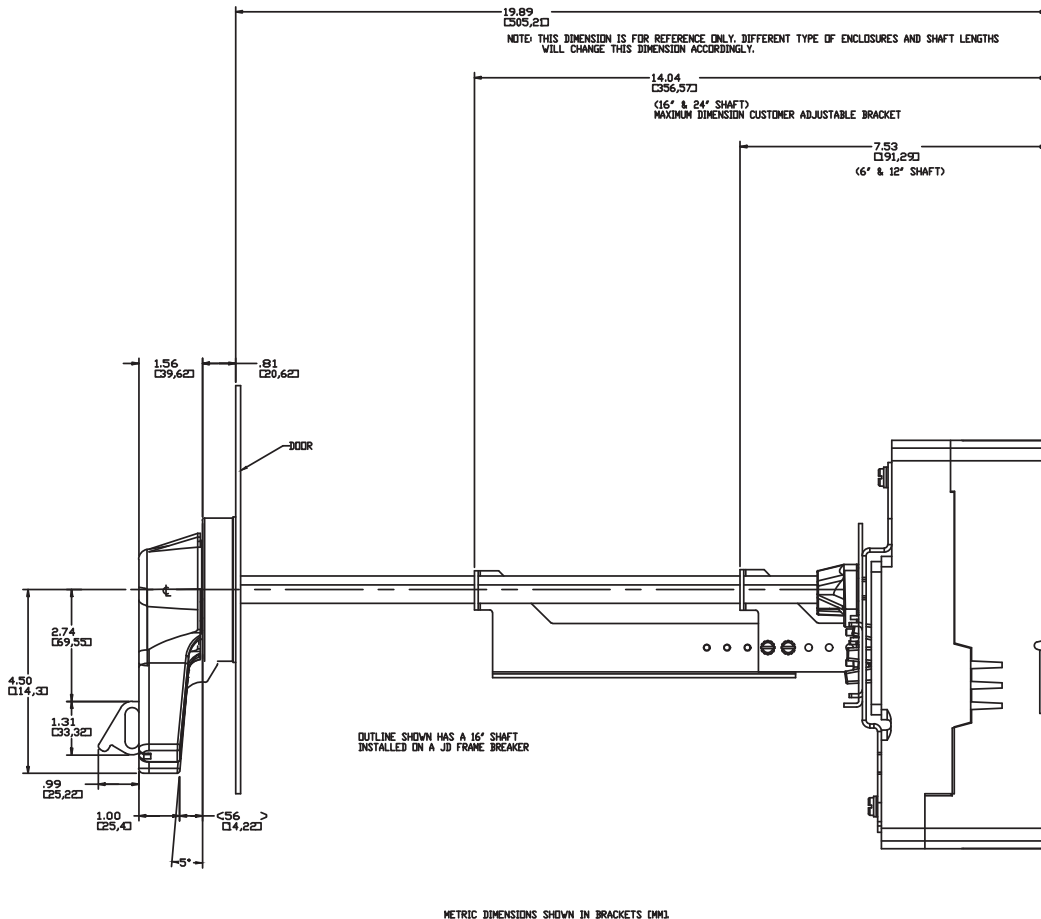
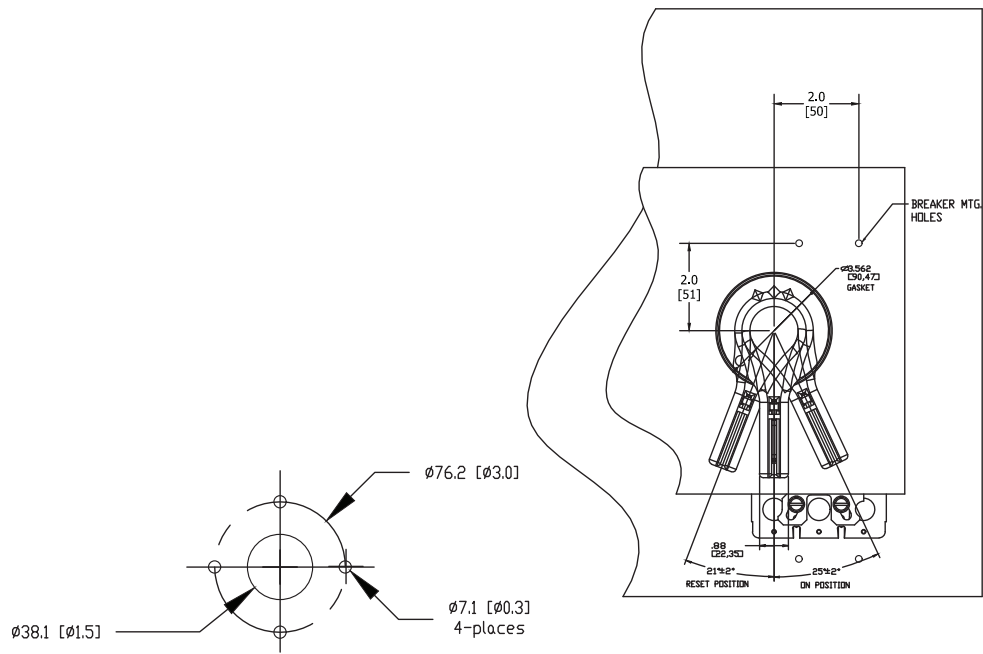
Terminal Blocks

Power Factor Correction

Appendix A

Appendix B

Dimensions Frame 250 - Rotary Handle



UBW

Dimensions Frame 400

General Information

Circuit Protection

Disconnect Switches

Motor Protectors

Contactors

Overloads

Enclosed Starters

Relays

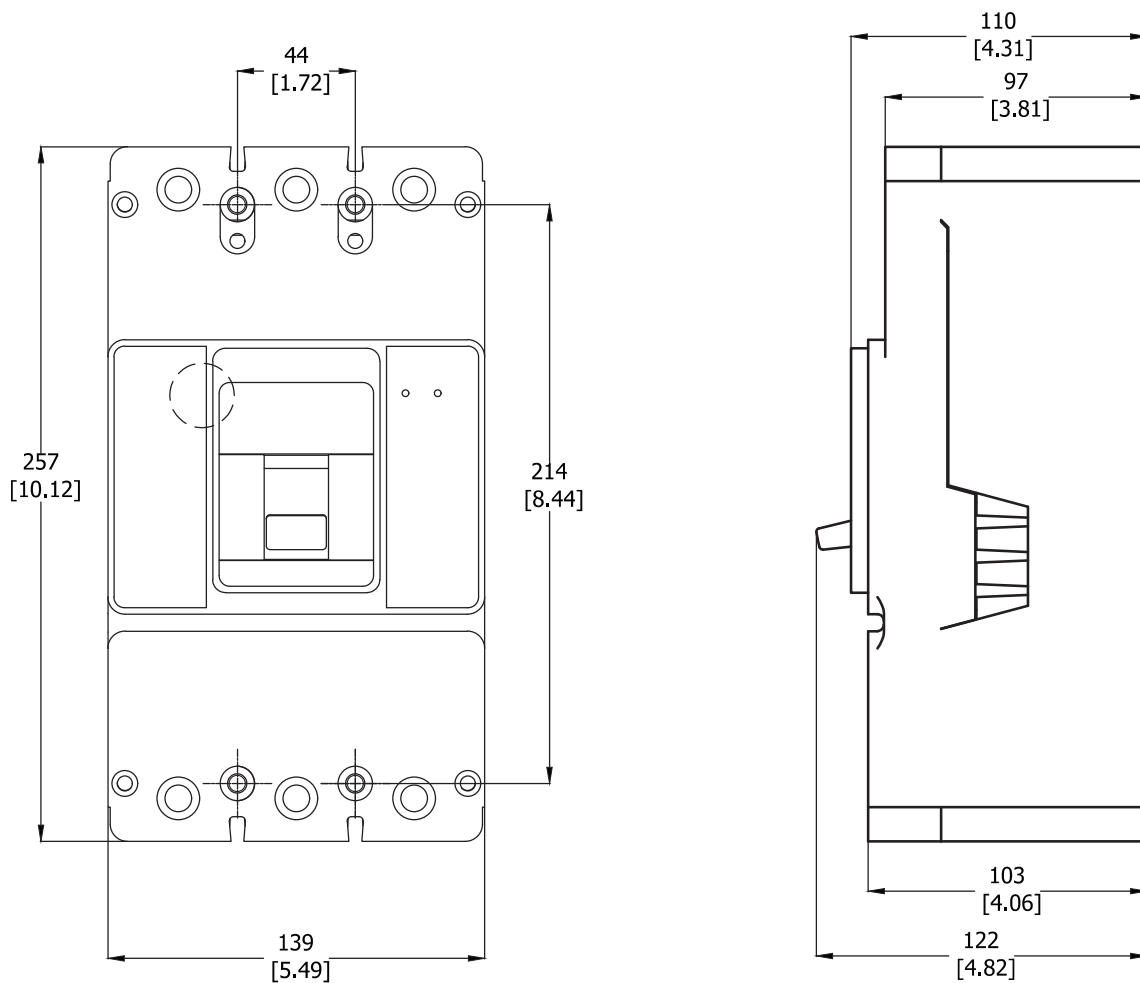
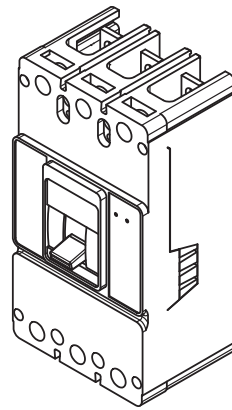
Pushbuttons and Pilot Lights

Terminal Blocks

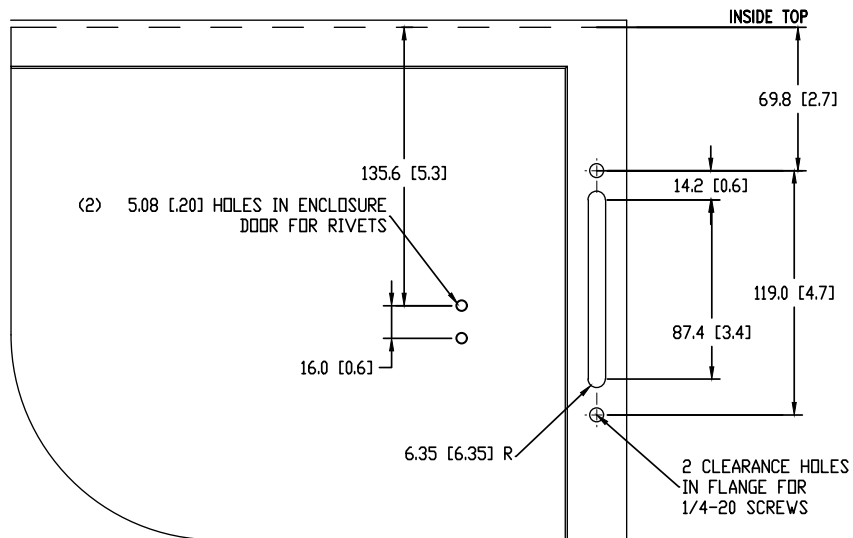
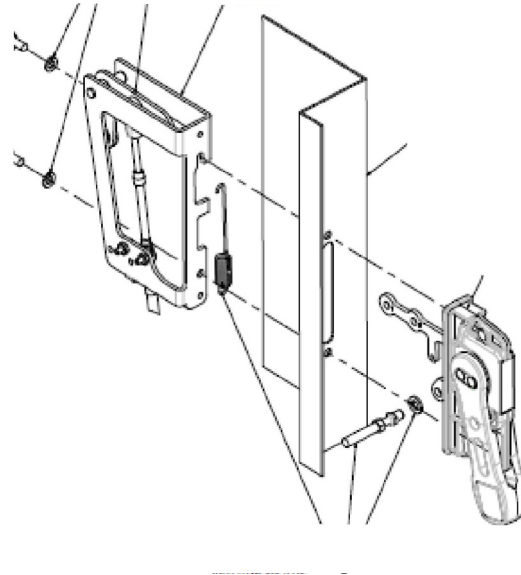
Power Factor Correction

Appendix A

Appendix B



Dimensions Frame 400 - Flange Handle



General Information

Circuit Protection

Disconnect Switches

Motor Protectors

Contactors

Overloads

Enclosed Starters

Relays

Pushbuttons and Pilot Lights

Terminal Blocks

Power Factor Correction

Appendix A

Appendix B

Dimensions Frame 400 - Rotary Handle

General Information

Circuit Protection

Disconnect Switches

Motor Protectors

Contactors

Overloads

Enclosed Starters

Relays

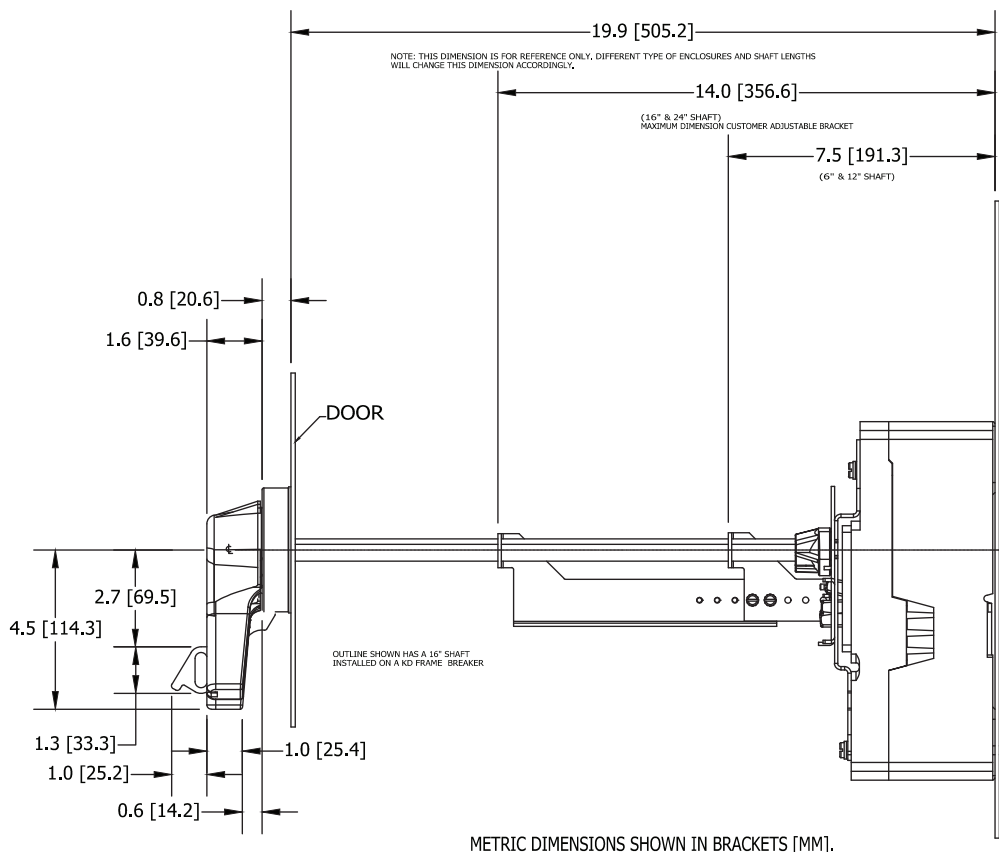
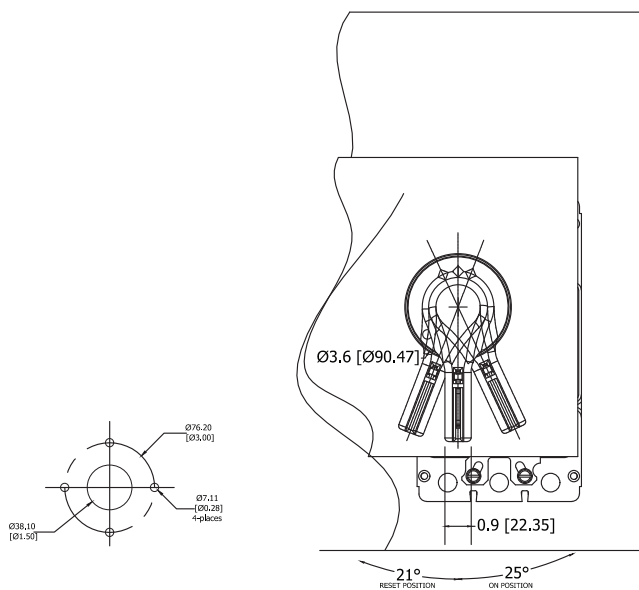
Pushbuttons and Pilot Lights

Terminal Blocks

Power Factor Correction

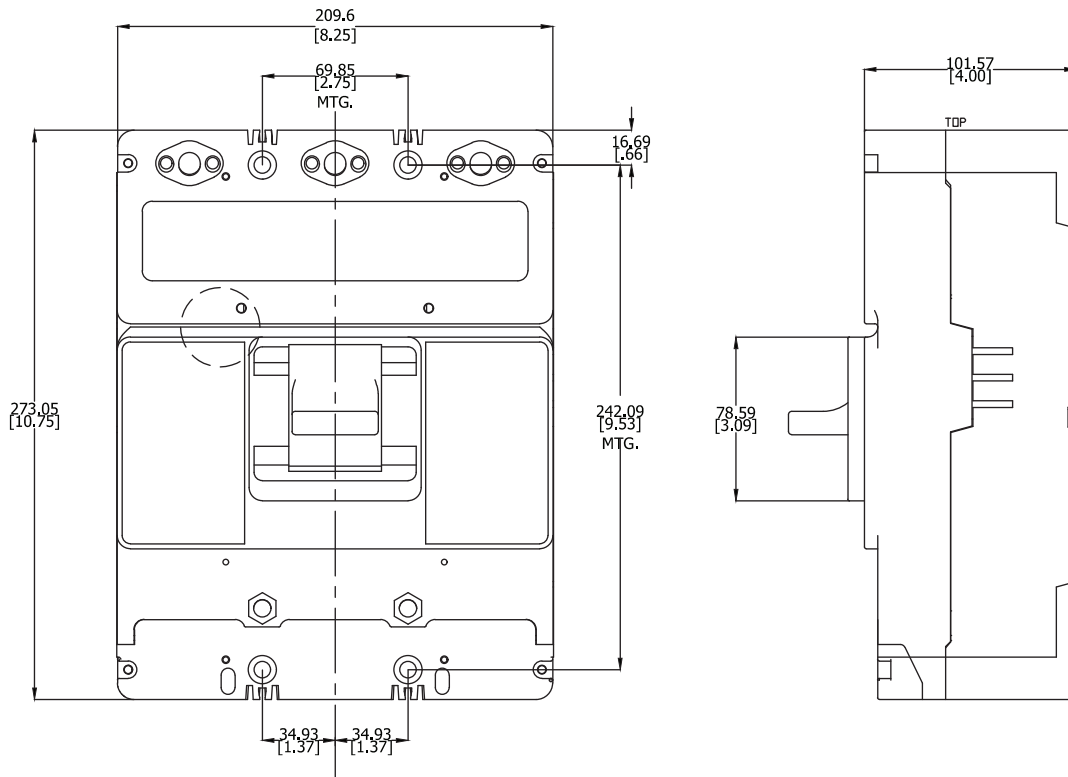
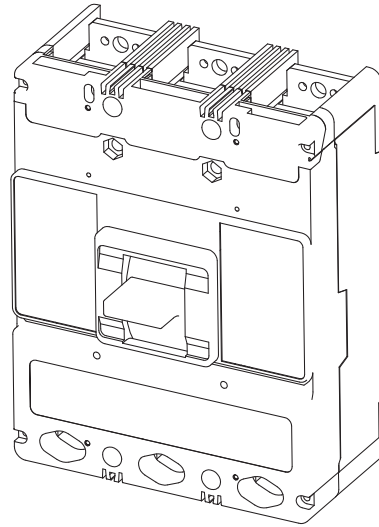
Appendix A

Appendix B



METRIC DIMENSIONS SHOWN IN BRACKETS [MM].

Dimensions Frame 600



General Information

Circuit Protection

Disconnect Switches

Motor Protectors

Contactors

Overloads

Enclosed Starters

Relays

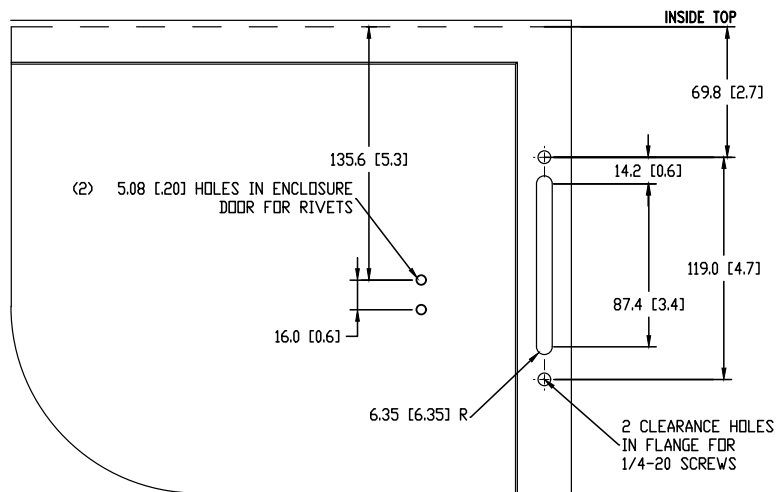
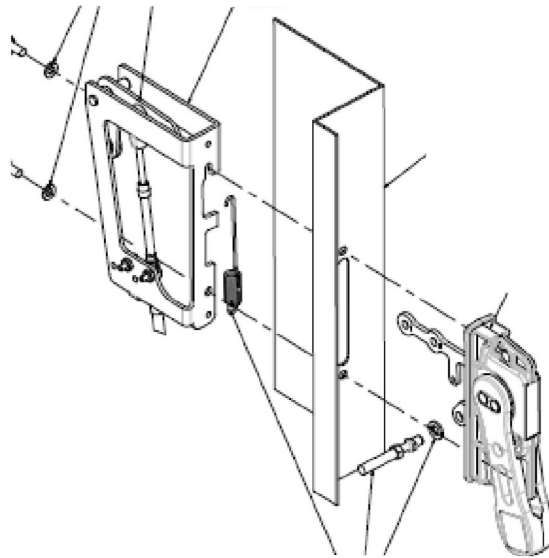
Pushbuttons and Pilot Lights

Terminal Blocks

Power Factor Correction

Appendix A

Appendix B



General Information

Circuit Protection

Disconnect Switches

Motor Protectors

Contactors

Overloads

Enclosed Starters

Relays

Pushbuttons and Pilot Lights

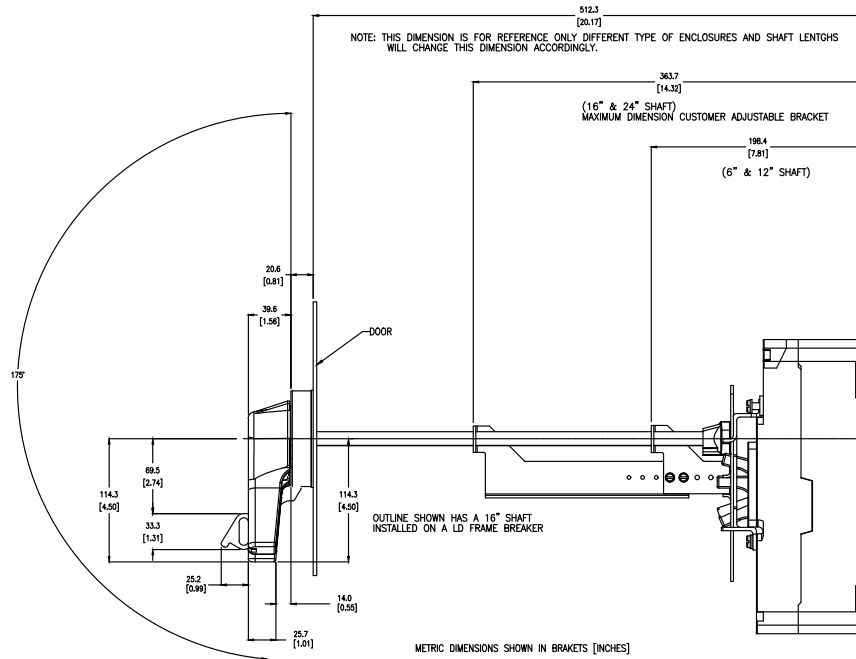
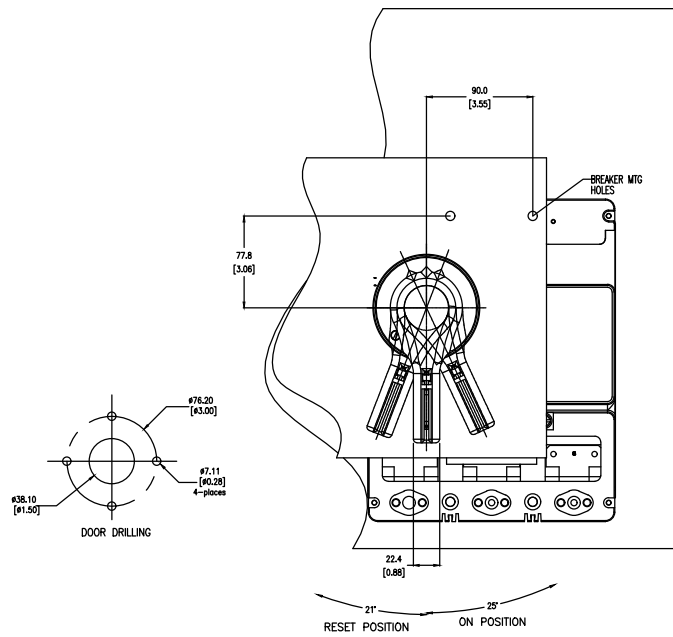
Terminal Blocks

Power Factor Correction

Appendix A

Appendix B

Dimensions Frame 600 - Rotary Handle



General Information

Circuit Protection

Disconnect Switches

Motor Protectors

Contactors

Overloads

Enclosed Starters

Relays

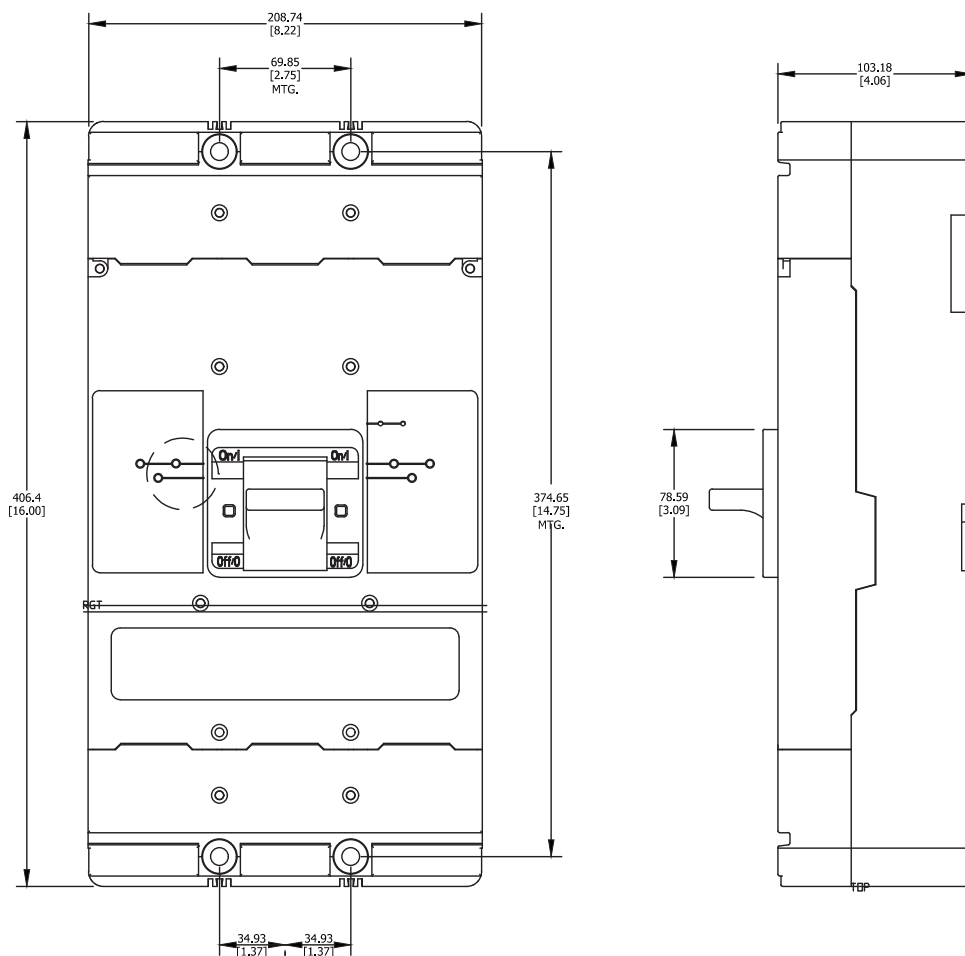
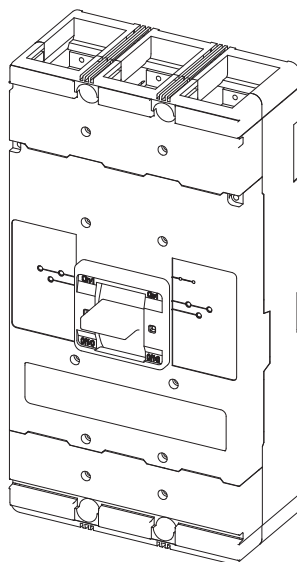
Pushbuttons and Pilot Lights

Terminal Blocks

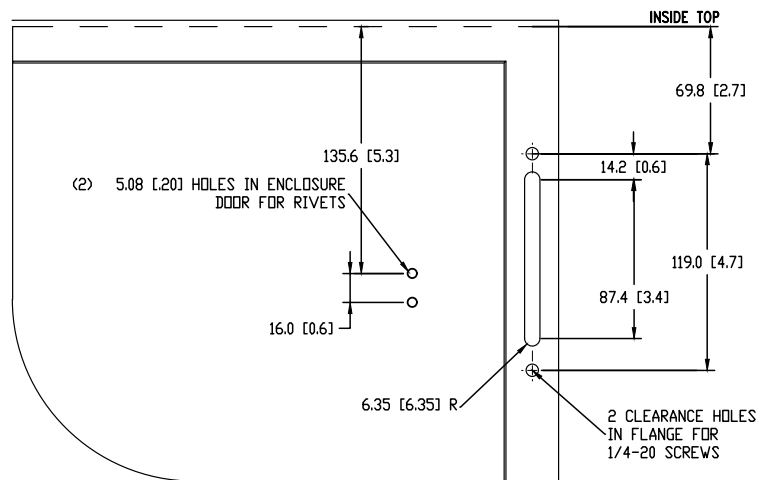
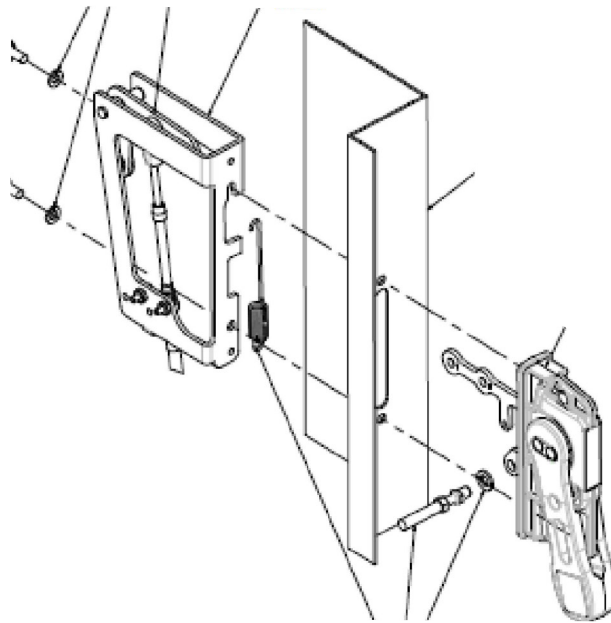
Power Factor Correction

Appendix A

Appendix B



Dimensions Frame 800 - Flange Handle



General Information

Circuit Protection

Disconnect Switches

Motor Protectors

Contactors

Overloads

Enclosed Starters

Relays

Pushbuttons and Pilot Lights

Terminal Blocks

Power Factor Correction

Appendix A

Appendix B

Dimensions Frame 800 - Rotary Handle

General Information

Circuit Protection

Disconnect Switches

Motor Protectors

Contactors

Overloads

Enclosed Starters

Relays

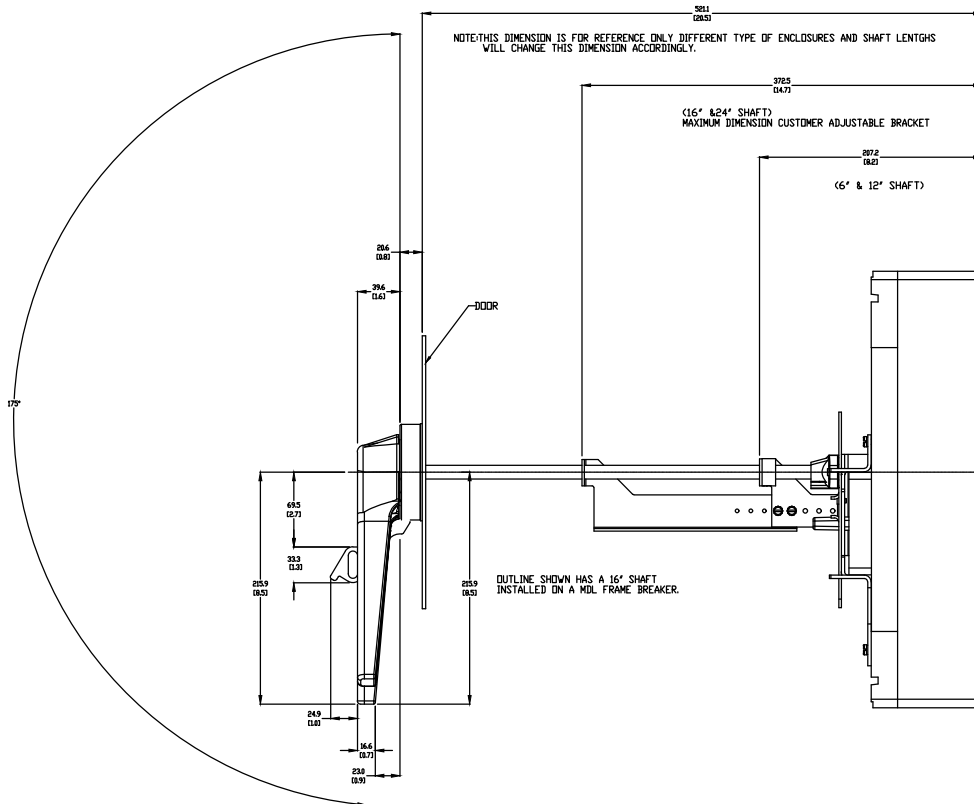
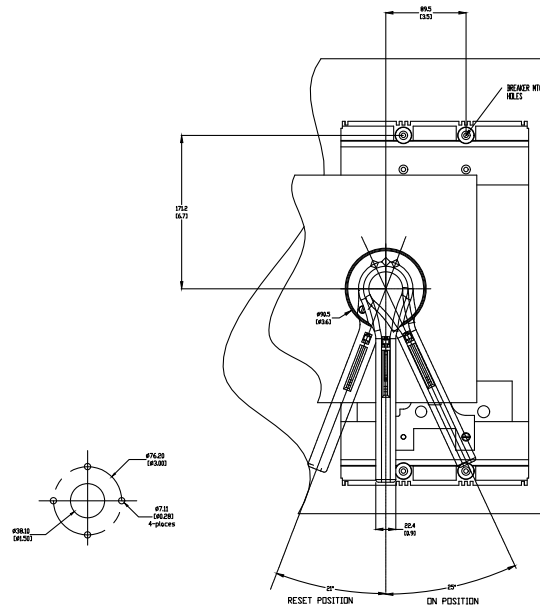
Pushbuttons and Pilot Lights

Terminal Blocks

Power Factor Correction

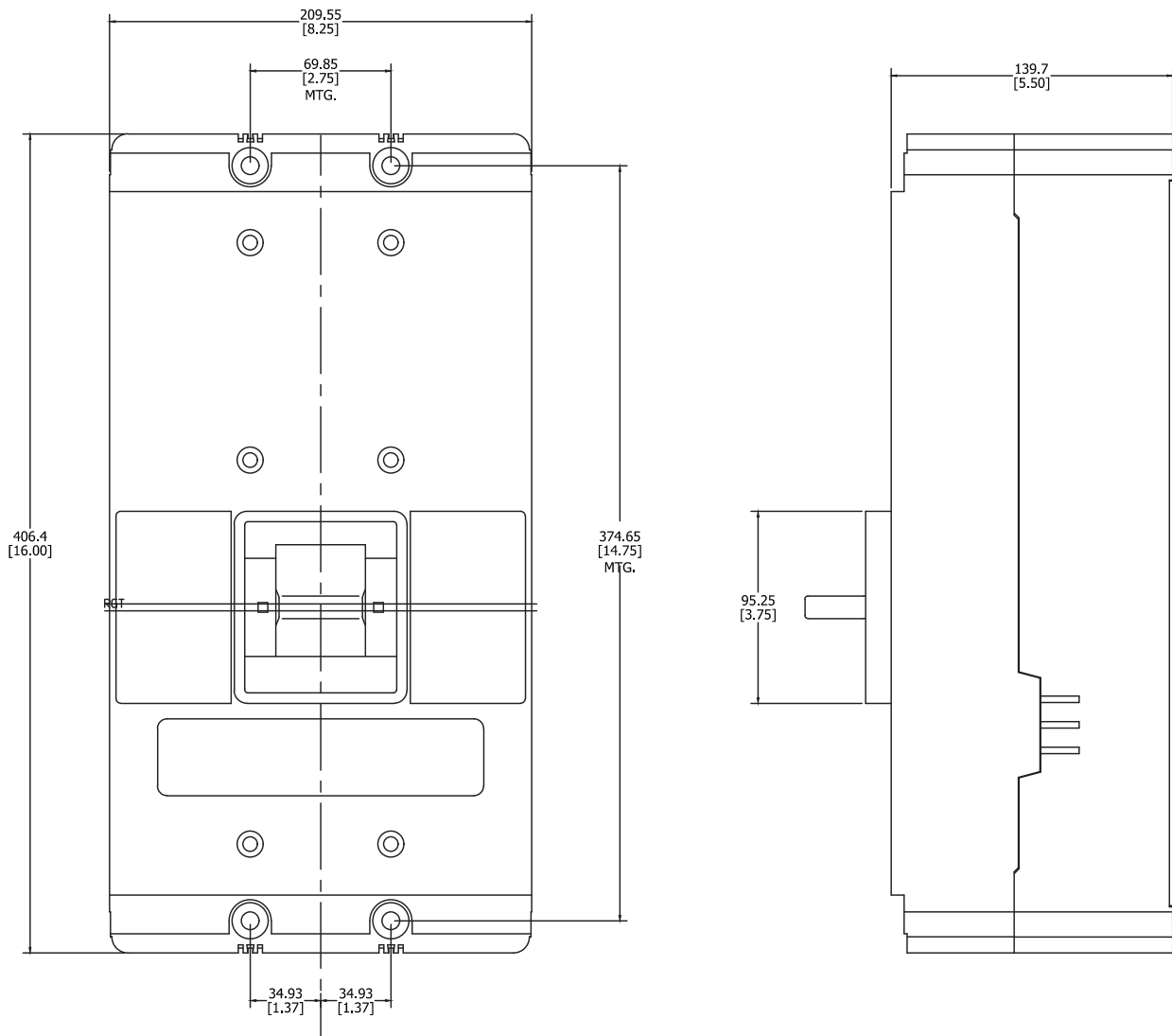
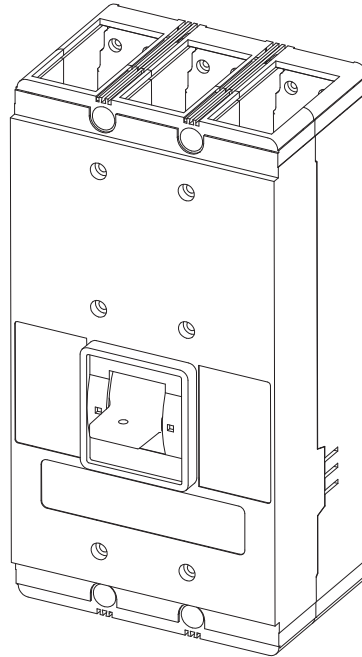
Appendix A

Appendix B



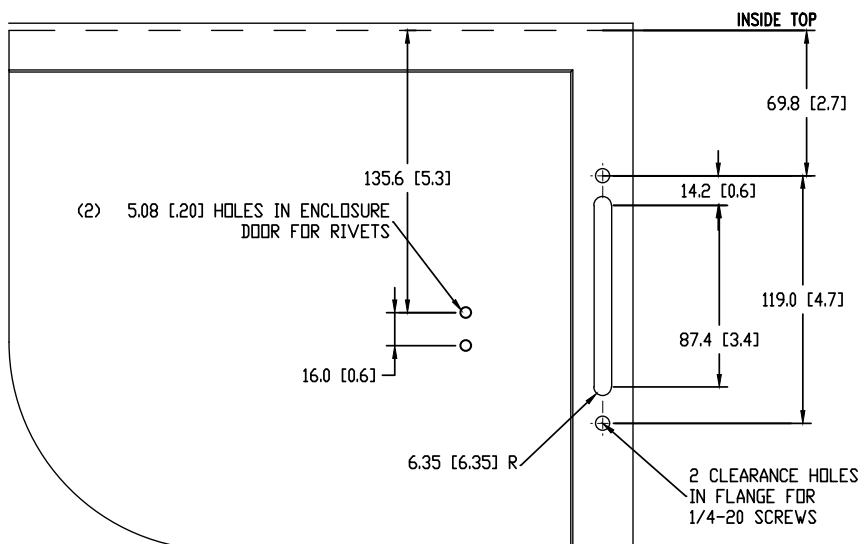
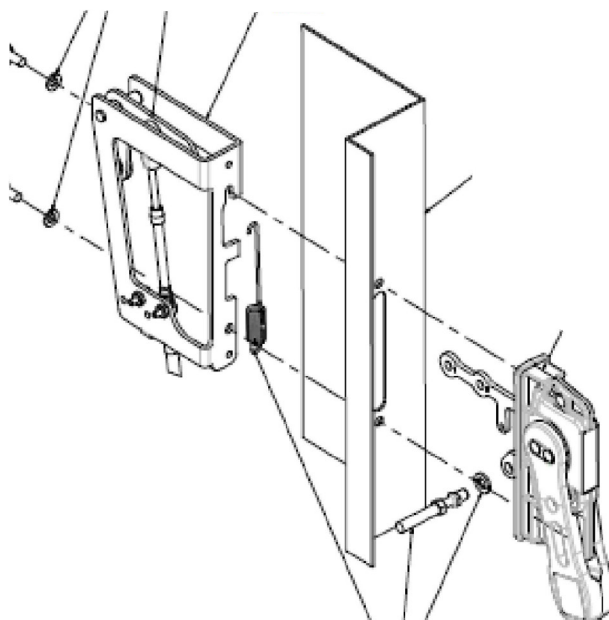
METRIC DIMENSIONS SHOWN IN BRACKETS (MM).

Dimensions Frame 1200



- General Information
- Circuit Protection**
- Disconnect Switches
- Motor Protectors
- Contactors
- Overloads
- Enclosed Starters
- Relays
- Pushbuttons and Pilot Lights
- Terminal Blocks
- Power Factor Correction
- Appendix A
- Appendix B

Dimensions Frame 1200 - Flange Handle



General Information

Circuit Protection

Disconnect Switches

Motor Protectors

Contactors

Overloads

Enclosed Starters

Relays

Pushbuttons and Pilot Lights

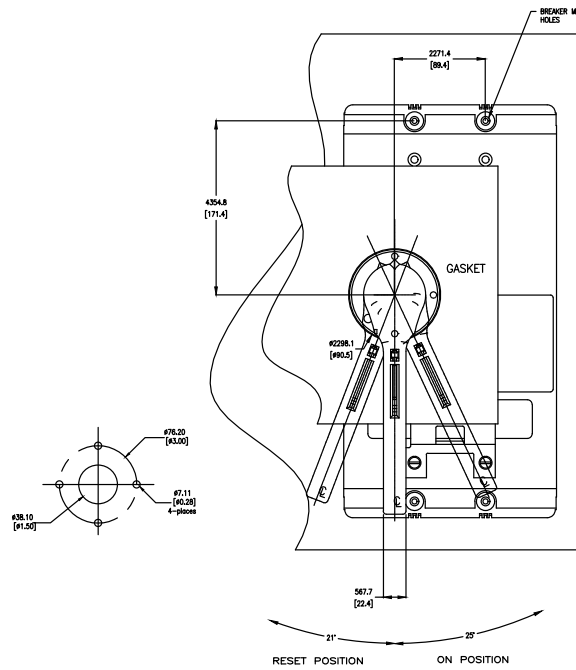
Terminal Blocks

Power Factor Correction

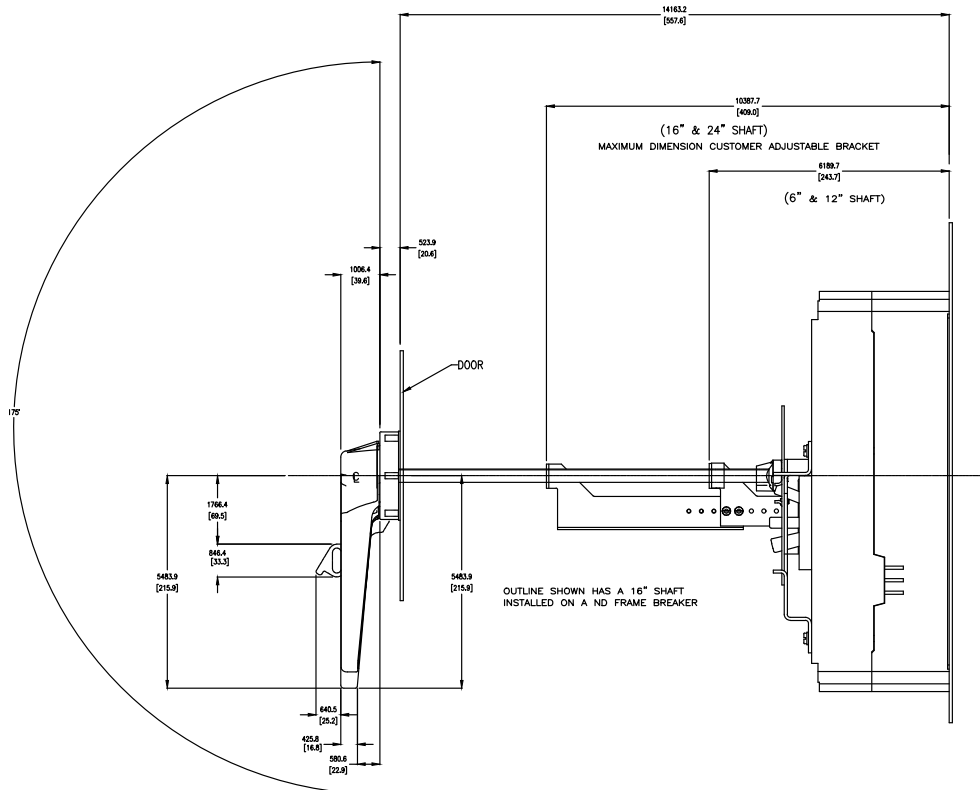
Appendix A

Appendix B

Dimensions Frame 1200 - Rotary Handle



NOTE: THIS DIMENSION IS FOR REFERENCE ONLY DIFFERENT TYPE OF ENCLOSURES AND SHAFT LENGTHS WILL CHANGE THIS DIMENSION ACCORDINGLY.



INCHES DIMENSIONS SHOWN IN BRACKETS

General Information

Circuit Protection

Disconnect Switches

Motor Protectors

Contactors

Overloads

Enclosed Starters

Relays

Pushbuttons and Pilot Lights

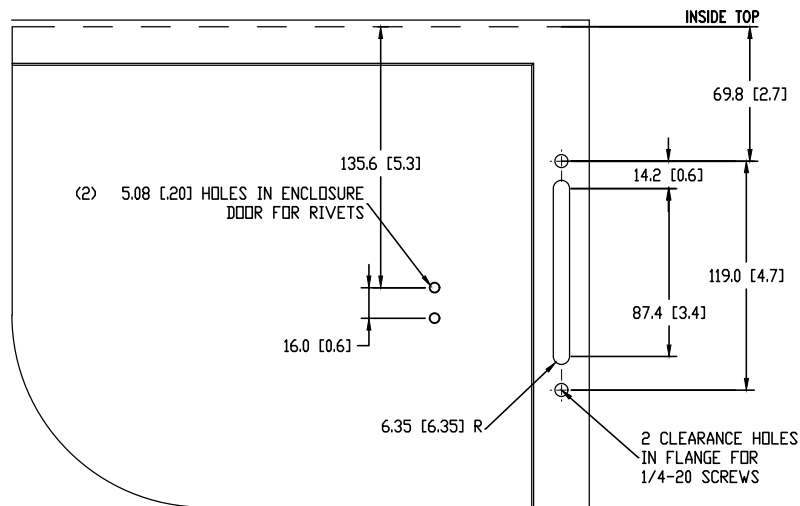
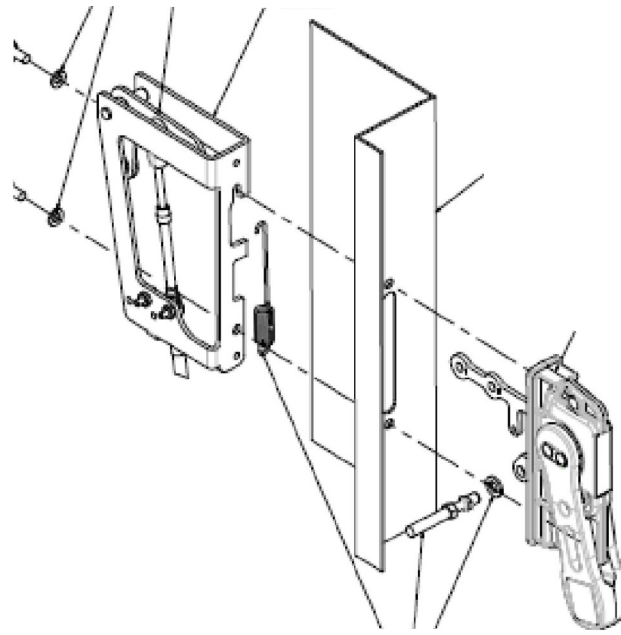
Terminal Blocks

Power Factor Correction

Appendix A

Appendix B

Dimensions Frame 2500 - Flange Handle



General Information

Circuit Protection

Disconnect Switches

Motor Protectors

Contactors

Overloads

Enclosed Starters

Relays

Pushbuttons and Pilot Lights

Terminal Blocks

Power Factor Correction

Appendix A

Appendix B

Internal Locations for Breaker Options

Frame 225			
	Left	Center	Right
Auxiliary Alarm	■		■
Alarm	■		■
Auxiliary/Alarm	■		■
Shunt Trip	■		■
Undervoltage Release	■		■
	■	Applicable in indicated pole position	
	■	May be mounted left or right (not both)	

Frame 250			
	Left	Center	Right
Auxiliary Alarm	■		■
Alarm	■		■
Auxiliary/Alarm	■		■
Shunt Trip	■		■
Undervoltage Release	■		■
	■	Applicable in indicated pole position	
	■	May be mounted left or right (not both)	

Frame 400			
	Left	Center	Right
Auxiliary Alarm	■		■
Alarm	■		■
Auxiliary/Alarm	■		■
Shunt Trip	■		■
Undervoltage Release	■		■
	■	Applicable in indicated pole position	
	■	May be mounted left or right (not both)	

Frame 600			
	Left	Center	Right
Auxiliary Alarm	■		■
Alarm	■		■
Auxiliary/Alarm	■		■
Shunt Trip	■		■
Undervoltage Release	■		■
	■	Applicable in indicated pole position	
	■	May be mounted left or right (not both)	

Frame 600			
	Left	Center	Right
Auxiliary Alarm	■		■
Alarm	■		■
Auxiliary/Alarm	■		■
Shunt Trip	■		■
Undervoltage Release	■		■
	■	Applicable in indicated pole position	
	■	May be mounted left or right (not both)	

Frame 1200			
	Left	Center	Right
Auxiliary Alarm	■		■
Alarm	■		■
Auxiliary/Alarm	■		■
Shunt Trip	■		■
Undervoltage Release	■		■
	■	Applicable in indicated pole position	
	■	May be mounted left or right (not both)	

Frame 2500			
	Left	Center	Right
Auxiliary Alarm			■
Alarm			■
Auxiliary/Alarm	N/A	N/A	N/A
Shunt Trip			■
Undervoltage Release			■
	■	Applicable in indicated pole position	
	■	May be mounted left or right (not both)	

General Information

Circuit Protection

Disconnect Switches

Motor Protectors

Contactors

Overloads

Enclosed Starters

Relays

Pushbuttons and Pilot Lights

Terminal Blocks

Power Factor Correction

Appendix A

Appendix B

UMBW-UL489 and UL1077 Listed

Introducing the New WEG UMBW Series Thermal-Magnetic Miniature Circuit Breakers. This new offering includes both UL489 and UL1077 approvals to provide a solution for circuit & equipment protection in Industrial Electrical equipment. The UMBW has a range from 1 to 63Amps, available in 1,2, 3 poles, and B, C, D trip curves.

Standard Features:

- AC & DC voltages available in one Series
- UL489 Branch Circuit protective device
- UL1077 Equipment protection
- 17.5mm width per pole
- Visual status indication
- Positive trip-free snap action mechanism to ensure reliable switching
- Cuttable Bus Bar connecting system



UL 489 UL File No. E466810
UL 1077 UL File No. E466808

UMBW Catalog Number Sequence

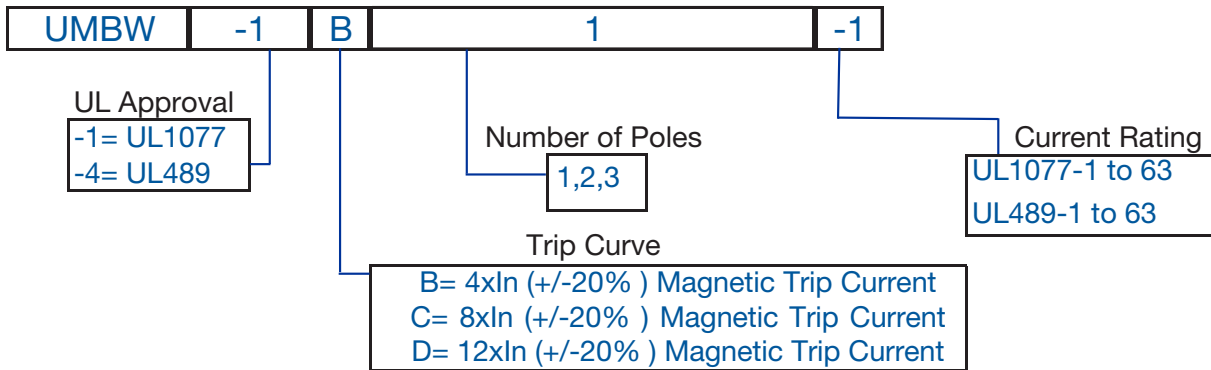


Table intended as reference only and not to create part numbers.



UMBW - UL1077

# Poles	Ampacity	Catalog Number			Max Voltage	List Price	Multiplier
		B CURVE	C CURVE	D CURVE			
1 POLE	1	UMBW-1B1-1	UMBW-1C1-1	UMBW-1D1-1	277 VAC	\$25	Z12
	1	UMBW-1B1-1.2	UMBW-1C1-1.2	UMBW-1D1-1.2			
	1.5	UMBW-1B1-1.5	UMBW-1C1-1.5	UMBW-1D1-1.5			
	1.6	UMBW-1B1-1.6	UMBW-1C1-1.6	UMBW-1D1-1.6			
	2	UMBW-1B1-2	UMBW-1C1-2	UMBW-1D1-2			
	3	UMBW-1B1-3	UMBW-1C1-3	UMBW-1D1-3			
	4	UMBW-1B1-4	UMBW-1C1-4	UMBW-1D1-4			
	5	UMBW-1B1-5	UMBW-1C1-5	UMBW-1D1-5			
	6	UMBW-1B1-6	UMBW-1C1-6	UMBW-1D1-6			
	7	UMBW-1B1-7	UMBW-1C1-7	UMBW-1D1-7			
	8	UMBW-1B1-8	UMBW-1C1-8	UMBW-1D1-8			
	10	UMBW-1B1-10	UMBW-1C1-10	UMBW-1D1-10			
	12	UMBW-1B1-12	UMBW-1C1-12	UMBW-1D1-12			
	13	UMBW-1B1-13	UMBW-1C1-13	UMBW-1D1-13			
	15	UMBW-1B1-15	UMBW-1C1-15	UMBW-1D1-15			
	16	UMBW-1B1-16	UMBW-1C1-16	UMBW-1D1-16			
	20	UMBW-1B1-20	UMBW-1C1-20	UMBW-1D1-20			
	25	UMBW-1B1-25	UMBW-1C1-25	UMBW-1D1-25			
	30	UMBW-1B1-30	UMBW-1C1-30	UMBW-1D1-30			
	32	UMBW-1B1-32	UMBW-1C1-32	UMBW-1D1-32			
35	UMBW-1B1-35	UMBW-1C1-35	UMBW-1D1-35				
40	UMBW-1B1-40	UMBW-1C1-40	UMBW-1D1-40				
50	UMBW-1B1-50	UMBW-1C1-50	UMBW-1D1-50				
60	UMBW-1B1-60	UMBW-1C1-60	UMBW-1D1-60				
63	UMBW-1B1-63	UMBW-1C1-63	UMBW-1D1-63				
2 POLE	1	UMBW-1B2-1	UMBW-1C2-1	UMBW-1D2-1	277/480 VAC	\$48	Z12
	1.2	UMBW-1B2-1.2	UMBW-1C2-1.2	UMBW-1D2-1.2			
	1.5	UMBW-1B2-1.5	UMBW-1C2-1.5	UMBW-1D2-1.5			
	1.6	UMBW-1B2-1.6	UMBW-1C2-1.6	UMBW-1D2-1.6			
	2	UMBW-1B2-2	UMBW-1C2-2	UMBW-1D2-2			
	3	UMBW-1B2-3	UMBW-1C2-3	UMBW-1D2-3			
	4	UMBW-1B2-4	UMBW-1C2-4	UMBW-1D2-4			
	5	UMBW-1B2-5	UMBW-1C2-5	UMBW-1D2-5			
	6	UMBW-1B2-6	UMBW-1C2-6	UMBW-1D2-6			
	7	UMBW-1B2-7	UMBW-1C2-7	UMBW-1D2-7			
	8	UMBW-1B2-8	UMBW-1C2-8	UMBW-1D2-8			
	10	UMBW-1B2-10	UMBW-1C2-10	UMBW-1D2-10			
	12	UMBW-1B2-12	UMBW-1C2-12	UMBW-1D2-12			
	13	UMBW-1B2-13	UMBW-1C2-13	UMBW-1D2-13			
	15	UMBW-1B2-15	UMBW-1C2-15	UMBW-1D2-15			
	16	UMBW-1B2-16	UMBW-1C2-16	UMBW-1D2-16			
	20	UMBW-1B2-20	UMBW-1C2-20	UMBW-1D2-20			
	25	UMBW-1B2-25	UMBW-1C2-25	UMBW-1D2-25			
	30	UMBW-1B2-30	UMBW-1C2-30	UMBW-1D2-30			
	32	UMBW-1B2-32	UMBW-1C2-32	UMBW-1D2-32			
35	UMBW-1B2-35	UMBW-1C2-35	UMBW-1D2-35				
40	UMBW-1B2-40	UMBW-1C2-40	UMBW-1D2-40				
50	UMBW-1B2-50	UMBW-1C2-50	UMBW-1D2-50				
60	UMBW-1B2-60	UMBW-1C2-60	UMBW-1D2-60				
63	UMBW-1B2-63	UMBW-1C2-63	UMBW-1D2-63				



- General Information
- Circuit Protection
- Disconnect Switches
- Motor Protectors
- Contactors
- Overloads
- Enclosed Starters
- Relays
- Pushbuttons and Pilot Lights
- Terminal Blocks
- Power Factor Correction
- Appendix A
- Appendix B

# Poles	Ampacity	Catalog Number			Max Voltage	List Price	Multiplier
		B CURVE	C CURVE	D CURVE			
3 POLE	1	UMBW-1B3-1	UMBW-1C3-1	UMBW-1D3-1	277/480 VAC	\$65	Z12
	1.2	UMBW-1B3-1.2	UMBW-1C3-1.2	UMBW-1D3-1.2			
	1.5	UMBW-1B3-1.5	UMBW-1C3-1.5	UMBW-1D3-1.5			
	1.6	UMBW-1B3-1.6	UMBW-1C3-1.6	UMBW-1C3-1.6			
	2	UMBW-1B3-2	UMBW-1C3-2	UMBW-1D3-2			
	3	UMBW-1B3-3	UMBW-1C3-3	UMBW-1D3-3			
	4	UMBW-1B3-4	UMBW-1C3-4	UMBW-1D3-4			
	5	UMBW-1B3-5	UMBW-1C3-5	UMBW-1D3-5			
	6	UMBW-1B3-6	UMBW-1C3-6	UMBW-1D3-6			
	7	UMBW-1B3-7	UMBW-1C3-7	UMBW-1D3-7			
	8	UMBW-1B3-8	UMBW-1C3-8	UMBW-1D3-8			
	10	UMBW-1B3-10	UMBW-1C3-10	UMBW-1D3-10			
	12	UMBW-1B3-12	UMBW-1C3-12	UMBW-1D3-12			
	13	UMBW-1B3-13	UMBW-1C3-13	UMBW-1D3-13			
	15	UMBW-1B3-15	UMBW-1C3-15	UMBW-1D3-15			
	16	UMBW-1B3-16	UMBW-1C3-16	UMBW-1D3-16			
	20	UMBW-1B3-20	UMBW-1C3-20	UMBW-1D3-20			
	25	UMBW-1B3-25	UMBW-1C3-25	UMBW-1D3-25			
	30	UMBW-1B3-30	UMBW-1C3-30	UMBW-1D3-30			
	32	UMBW-1B3-32	UMBW-1C3-32	UMBW-1D3-32			
35	UMBW-1B3-35	UMBW-1C3-35	UMBW-1D3-35				
40	UMBW-1B3-40	UMBW-1C3-40	UMBW-1D3-40				
50	UMBW-1B3-50	UMBW-1C3-50	UMBW-1D3-50				
60	UMBW-1B3-60	UMBW-1C3-60	UMBW-1D3-60				
63	UMBW-1B3-63	UMBW-1C3-63	UMBW-1D3-63				



- General Information
- Circuit Protection
- Disconnect Switches
- Motor Protectors
- Contactors
- Overloads
- Enclosed Starters
- Relays
- Pushbuttons and Pilot Lights
- Terminal Blocks
- Power Factor Correction
- Appendix A
- Appendix B

UMBW - UL489

# Poles	Ampacity	Catalog Number			Max Voltage	List Price	Multiplier			
		B CURVE	C CURVE	D CURVE						
1 POLE	1	UMBW-4B1-1	UMBW-4C1-1	UMBW-4D1-1	277 VAC /60 VDC	\$53	Z12			
	1.2	UMBW-4B1-1.2	UMBW-4C1-1.2	UMBW-4D1-1.2						
	1.5	UMBW-4B1-1.5	UMBW-4C1-1.5	UMBW-4D1-1.5						
	1.6	UMBW-4B1-1.6	UMBW-4C1-1.6	UMBW-4D1-1.6						
	2	UMBW-4B1-2	UMBW-4C1-2	UMBW-4D1-2						
	3	UMBW-4B1-3	UMBW-4C1-3	UMBW-4D1-3						
	4	UMBW-4B1-4	UMBW-4C1-4	UMBW-4D1-4						
	5	UMBW-4B1-5	UMBW-4C1-5	UMBW-4D1-5						
	6	UMBW-4B1-6	UMBW-4C1-6	UMBW-4D1-6						
	7	UMBW-4B1-7	UMBW-4C1-7	UMBW-4D1-7						
	8	UMBW-4B1-8	UMBW-4C1-8	UMBW-4D1-8						
	10	UMBW-4B1-10	UMBW-4C1-10	UMBW-4D1-10						
	12	UMBW-4B1-12	UMBW-4C1-12	UMBW-4D1-12						
	13	UMBW-4B1-13	UMBW-4C1-13	UMBW-4D1-13						
	15	UMBW-4B1-15	UMBW-4C1-15	UMBW-4D1-15						
	16	UMBW-4B1-16	UMBW-4C1-16	UMBW-4D1-16						
	20	UMBW-4B1-20	UMBW-4C1-20	UMBW-4D1-20						
	25	UMBW-4B1-25	UMBW-4C1-25	UMBW-4D1-25						
	30	UMBW-4B1-30	UMBW-4C1-30	UMBW-4D1-30						
	32	UMBW-4B1-32	UMBW-4C1-32	UMBW-4D1-32						
35	UMBW-4B1-35	UMBW-4C1-35	UMBW-4D1-35							
40	UMBW-4B1-40	UMBW-4C1-40	UMBW-4D1-40	120 VAC /60 VDC	\$53	Z12				
50	UMBW-4B1-50	UMBW-4C1-50	UMBW-4D1-50							
60	UMBW-4B1-60	UMBW-4C1-60	UMBW-4D1-60							
63	UMBW-4B1-63	UMBW-4C1-63	UMBW-4D1-63							
2 POLE	1	UMBW-4B2-1	UMBW-4C2-1				UMBW-4D2-1	277/480 VAC 125 VDC	\$107	Z12
	1.2	UMBW-4B2-1.2	UMBW-4C2-1.2				UMBW-4D2-1.2			
	1.5	UMBW-4B2-1.5	UMBW-4C2-1.5				UMBW-4D2-1.5			
	1.6	UMBW-4B2-1.6	UMBW-4C2-1.6				UMBW-4D2-1.6			
	2	UMBW-4B2-2	UMBW-4C2-2	UMBW-4D2-2						
	3	UMBW-4B2-3	UMBW-4C2-3	UMBW-4D2-3						
	4	UMBW-4B2-4	UMBW-4C2-4	UMBW-4D2-4						
	5	UMBW-4B2-5	UMBW-4C2-5	UMBW-4D2-5						
	6	UMBW-4B2-6	UMBW-4C2-6	UMBW-4D2-6						
	7	UMBW-4B2-7	UMBW-4C2-7	UMBW-4D2-7						
	8	UMBW-4B2-8	UMBW-4C2-8	UMBW-4D2-8						
	10	UMBW-4B2-10	UMBW-4C2-10	UMBW-4D2-10						
	12	UMBW-4B2-12	UMBW-4C2-12	UMBW-4D2-12						
	13	UMBW-4B2-13	UMBW-4C2-13	UMBW-4D2-13						
	15	UMBW-4B2-15	UMBW-4C2-15	UMBW-4D2-15						
	16	UMBW-4B2-16	UMBW-4C2-16	UMBW-4D2-16						
	20	UMBW-4B2-20	UMBW-4C2-20	UMBW-4D2-20						
	25	UMBW-4B2-25	UMBW-4C2-25	UMBW-4D2-25						
	30	UMBW-4B2-30	UMBW-4C2-30	UMBW-4D2-30	277/480 VAC 125 VDC	\$107	Z12			
	32	UMBW-4B2-32	UMBW-4C2-32	UMBW-4D2-32						
35	UMBW-4B2-35	UMBW-4C2-35	UMBW-4D2-35							
40	UMBW-4B2-40	UMBW-4C2-40	UMBW-4D2-40							
50	UMBW-4B2-50	UMBW-4C2-50	UMBW-4D2-50							
60	UMBW-4B2-60	UMBW-4C2-60	UMBW-4D2-60							
63	UMBW-4B2-63	UMBW-4C2-63	UMBW-4D2-63							



# Poles	Ampacity	Catalog Number			Max Voltage	List Price	Multiplier
		B CURVE	C CURVE	D CURVE			
3 POLE	1	UMBW-4B3-1	UMBW-4C3-1	UMBW-4D3-1	277/480 VAC 125 VDC	\$158	Z12
	1.2	UMBW-4B3-1.2	UMBW-4C3-1.2	UMBW-4D3-1.2			
	1.5	UMBW-4B3-1.5	UMBW-4C3-1.5	UMBW-4D3-1.5			
	1.6	UMBW-4B3-1.6	UMBW-4C3-1.6	UMBW-4D3-1.6			
	2	UMBW-4B3-2	UMBW-4C3-2	UMBW-4D3-2			
	3	UMBW-4B3-3	UMBW-4C3-3	UMBW-4D3-3			
	4	UMBW-4B3-4	UMBW-4C3-4	UMBW-4D3-4			
	5	UMBW-4B3-5	UMBW-4C3-5	UMBW-4D3-5			
	6	UMBW-4B3-6	UMBW-4C3-6	UMBW-4D3-6			
	7	UMBW-4B3-7	UMBW-4C3-7	UMBW-4D3-7			
	8	UMBW-4B3-8	UMBW-4C3-8	UMBW-4D3-8			
	10	UMBW-4B3-10	UMBW-4C3-10	UMBW-4D3-10			
	12	UMBW-4B3-12	UMBW-4C3-12	UMBW-4D3-12			
	13	UMBW-4B3-13	UMBW-4C3-13	UMBW-4D3-13			
	15	UMBW-4B3-15	UMBW-4C3-15	UMBW-4D3-15			
	16	UMBW-4B3-16	UMBW-4C3-16	UMBW-4D3-16			
	20	UMBW-4B3-20	UMBW-4C3-20	UMBW-4D3-20	240 VAC / 125 VDC	\$158	Z12
	25	UMBW-4B3-25	UMBW-4C3-25	UMBW-4D3-25			
	30	UMBW-4B3-30	UMBW-4C3-30	UMBW-4D3-30			
	32	UMBW-4B3-32	UMBW-4C3-32	UMBW-4D3-32			
	35	UMBW-4B3-35	UMBW-4C3-35	UMBW-4D3-35			
	40	UMBW-4B3-40	UMBW-4C3-40	UMBW-4D3-40			
	50	UMBW-4B3-50	UMBW-4C3-50	UMBW-4D3-50			
	60	UMBW-4B3-60	UMBW-4C3-60	UMBW-4D3-60			
	63	UMBW-4B3-63	UMBW-4C3-63	UMBW-4D3-63			



- General Information
- Circuit Protection
- Disconnect Switches
- Motor Protectors
- Contactors
- Overloads
- Enclosed Starters
- Relays
- Pushbuttons and Pilot Lights
- Terminal Blocks
- Power Factor Correction
- Appendix A
- Appendix B

UMBW

Miniature Circuit Breakers

Accessories

Auxiliary Contact	1NO/1NC
Shunt Trip	120,240,277AC...12,24,48,125DC
Bell Alarm	1NO/1NC
Bus Bar	1,2,3 Phase...1,2,3 Phase with Auxiliary



Auxiliary Contacts

Signaling contacts that open and close with the breaker. Provide remote status indicating ON and OFF only.

For Use With	Catalog Number	Operating Voltage	Operating Amperage	Contacts	Mounting/Dims (mm)	Mechanical Operations	Torque	Mass	QTY	List Price	Multiplier
UMBW-1 UMBW-4	UMBW-AUX	12-240VAC	6A	1NO/1NC	Field Mountable..Left Side/ 9mm	20,000	1 Nm .74 Ft. lbs.	29g	1	\$55	Z12
		277VAC	3A								
		12-24VDC	6A								
		48VDC	3A								
		110-220VDC	1.5A								

Bell Alarm

Provides provisions for visual and alarm indication when the breaker in the Tripped status, due to Short Circuit, Overload or Undervoltage. Breaker must be re-set to open contacts.

For Use With	Catalog Number	Operating Voltage	Operating Amperage	Contacts	Mounting/Dims (mm)	Mechanical Operations	Torque	Mass	QTY	List Price	Multiplier
UMBW-1 UMBW-4	UMBW-BAC	12-240VAC	6A	1NO/1NC	Field Mountable..Left Side/ 9mm	10,000	1 Nm .74 Ft. lbs.	29g	1	\$68	Z12
		277VAC	3A								
		12-24VDC	6A								
		48VDC	3A								
		110-220VDC	1.5A								

Shunt Trip

Provides ability to trip breaker from remote location when power is applied.

For Use With	Catalog Number	Voltage/Min Trip Voltage	Amperage/ Power Consumption	Contacts	Mounting/Dims (mm)	Mechanical Operations	Torque	Mass	QTY	List Price	Multiplier
UMBW-1 UMBW-4	UMBW-ST12DC	12 VDC/ 8VDC	6A/ 200W	1NO/1NC	Field Mountable..Left Side/18mm	20,000	1Nm, .74ft lbs	60g	1	\$95	Z12
	UMBW-ST24DC	24 VDC/ 16VDC	6A/ 200W							\$95	
	UMBW-ST48DC	48 VDC/ 24VDC	2A/ 200W							\$95	
	UMBW-ST125DC	125 VDC/ 80VDC	1.5A/ 200W							\$95	
	UMBW-ST120AC	120 VAC/ 80VAC	6A/ 200W							\$95	
	UMBW-ST240AC	240 VAC/ 160VAC	6A/ 200W							\$95	
	UMBW-ST277AC	277 VAC/ 160VAC	3A/ 200W							\$95	

Minature Circuit Breakers Bus Bar Accessories

For Use With	Catalog Number	AMP Rating End/Center	Number of Poles	Max Voltage	Length (mm)	QTY	List Price	End Cap Catalog Number (Sold as Seperate Item)	QTY	List Price	Multiplier
1 Pole											
UMBW-1	UMBW-BB-1-1 	80A/160A	57	600 AC /1000 DC	1009	1	\$125	UMBW-BB-1-1P-END CAP	10 (Sets of 2pcs)	\$30	Z12
UMBW-4	UMBW-BB-4-1	80A/160A	57	1000 AC/DC	1031	1	\$500	UMBW-BB-4-END CAP	10	\$35	
1 Pole with Auxiliary											
UMBW-1	UMBW-BB-1-1A 	80A/160A	37	600 AC /1000 DC	985	1	\$135	UMBW-BB-1-1P-END CAP	10 (Sets of 2pcs)	\$30	Z12
UMBW-4	UMBW-BB-4-1A	80A/160A	37	1000 AC/DC	972	1	\$570	UMBW-BB-4-END CAP	10	\$35	
2 POLE											
UMBW-1	UMBW-BB-1-2 	80A/160A	56	600 AC/DC	991	1	\$285	UMBW-BB-1-2/3P-E CAP	10 (Sets of 2pcs)	\$30	Z12
UMBW-4	UMBW-BB-4-2	80A/160A	56	600 AC/DC	979	1	\$575	UMBW-BB-4-END CAP	10	\$35	
2 Pole with Auxiliary											
UMBW-1	UMBW-BB-1-2A 	80A/160A	46	600 AC/DC	1009	1	\$295	UMBW-BB-1-2/3P-E CAP	10 (Sets of 2pcs)	\$30	Z12
UMBW-4	UMBW-BB-4-2A	80A/160A	46	600 AC/DC	981	1	\$645	UMBW-BB-4-END CAP	10	\$35	
3 Pole											
UMBW-1	UMBW-BB-1-3 	80A/160A	57	600 AC/DC	1009	1	\$340	UMBW-BB-1-2/3P-E CAP	10 (Sets of 2pcs)	\$30	Z12
UMBW-4	UMBW-BB-4-3	80A/160A	57	600 AC/DC	997	1	\$650	UMBW-BB-4-END CAP	10	\$35	
3 Pole with Auxiliary											
UMBW-1	UMBW-BB-1-3A 	80A/160A	48	600 AC/DC	982	1	\$345	UMBW-BB-1-2/3P-E CAP	10 (Sets of 2pcs)	\$30	Z12
UMBW-4	UMBW-BB-4-3A	80A/160A		600 AC/DC	936	1	\$720	UMBW-BB-4-END CAP	10	\$35	

Note: Bus Bars May Be Center Fed to Increase Ampacity to Double Rated Value

General Information

Circuit Protection

Disconnect Switches

Motor Protectors

Contactors

Overloads

Enclosed Starters

Relays

Pushbuttons and Pilot Lights

Terminal Blocks

Power Factor Correction

Appendix A

Appendix B

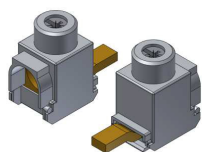
UMBW

Miniature Circuit Breakers

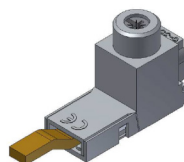
Bus Bar Accessories

For Use With	Catalog Number	AMP Rating	Number of Poles	Max Voltage	Conductor Range Min/Max	Tightening Torque	QTY	List Price	Multiplier
UMBW-1	UMBW-BB-1-1P-END CAP	N/A	1	N/A	N/A	N/A	10	\$30	Z12
UMBW-1	UMBW-BB-1-2/3-E-CAP	N/A	2 or 3	N/A	N/A	N/A	10 (Sets of 2pcs)	\$35	Z12
UMBW-1	UMBW-BB-1-1P-TERM	115A	1	1000 AC/DC	10AWG/1AWG	50 lb.in	10	\$320	Z12
UMBW-1	UMBW-BB-1-2/3P-TERM	115A	2 or 3	1000 AC/DC	10AWG/1AWG	50 lb.in	10	\$330	Z12
UMBW-1	UMBW-BB-1-BUS CAP-Y	N/A	5	N/A	N/A	N/A	10 (Sets of 5pcs)	\$115	Z12

For Use With	Catalog Number	AMP Rating	Number of Poles	Max Voltage	Conductor Range Min/Max	Tightening Torque	QTY	List Price	Multiplier
UMBW-4	UMBW-BB-4-END CAP	N/A		N/A	N/A	N/A	10	\$40	Z12
UMBW-4	UMBW-BB-4-1P-TERM	115A	1	1000 AC/DC	14AWG/2AWG	50 lb.in	10	\$350	Z12
UMBW-4	UMBW-BB-4-BUS CAP-Y	N/A	3	N/A	N/A	N/A	10 (Sets of 3pcs)	\$45	Z12



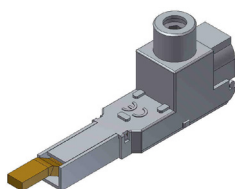
UMBW-BB-1-1-TERM



UMBW-BB-1-2/3P-TERM



UMBW-BB-1-BUS CAP-Y



UMBW-BB-4-1P-TERM



UMBW-BB-4-BUS CAP-Y

Breaker Technical Data

Electrical Ratings

Approval	Poles	Voltage	Ampacity	Interrupting
UL1077 E468808	1 Pole	240VAC	1A - 63A	7.5kA
	1 Pole	277VAC	1A - 63A	5kA
	2,3 Pole	240VAC	1A - 63A	5kA
	2, 3 Pole	277/480Y VAC	1A - 63A	5kA
	1 Pole	60VDC - pending	1A - 63A	7.5kA
	2 Pole	125VDC - pending	1A - 63A	7.5kA
UL489 E468810	1 Pole	120VAC	1A - 63A	10kA
	2, 3 Pole	240VAC	1A - 63A	10kA
	1 Pole	277VAC	1A - 20A	10kA
	2, 3 Pole	277/480Y VAC	1A - 20A	10kA
	1 Pole	60VDC	1A - 63A	10kA
	2 Pole	125VDC	1A - 63A	10kA
IEC 60947-2	1 Pole	230VAC	1A - 63A	10kA
	2, 3 Pole	400VAC	1A - 63A	10kA

Mechanical Ratings

Tripping Curves	B,C,D
Number of Poles	1,2,3
Mounting Position	Vertical, Horizontal
Torque	2 Nm, 1.48 ft lbs Maximum
Cable Cross Section	35mm sq, 2 Awg Maximum
Ambient Temperature	-35 deg C to +70 deg C
Mass	UL1077 - 116 grams per pole
	UL489 - 131 grams per pole
Protection Class	IP20
Mechanical Operations	10,000
Vibration (sinusoidal)	+/- .38mm (10-57HZ), 5g
Test to IEC 60060-2-6	(57-500HZ)
Test to Fc	10 frequency cycles per axis
Shock Test to IEC60068-2-27, Test Ea	30g (11ms)
Corrosion Test to IEC60068-2-11 Test Ka	96hrs in 5% salt mist
Humidity Test to IEC60068-2-78 Test Cab	48hrs at 95% RH, Temp +40 deg C
Terminals	Screw with Bus Bar Connections

General Information

Circuit Protection

Disconnect Switches

Motor Protectors

Contactors

Overloads

Enclosed Starters

Relays

Pushbuttons and Pilot Lights

Terminal Blocks

Power Factor Correction

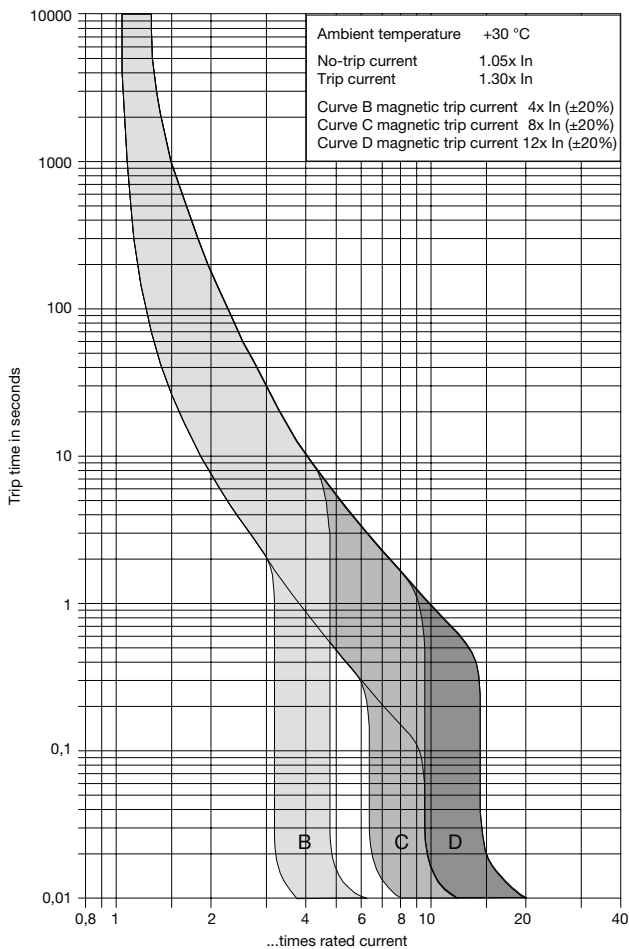
Appendix A

Appendix B

UMBW

Operating Ampacity Based on Ambient Temperature (Degree C)

Amps	-35	-30	-25	-20	-15	-10	-5	0	+5	+10	+15	+20	+25	+30	+35	+40	+45	+50	+55	+60	+65	+70
1	1.3	1.3	1.2	1.2	1.2	1.2	1.2	1.1	1.1	1.1	1.1	1.1	1.0	1.0	1.0	0.9	0.9	0.9	0.9	0.8	0.8	0.8
2	2.5	2.5	2.5	2.4	2.4	2.3	2.3	2.3	2.2	2.2	2.1	2.1	2.0	2.0	1.9	1.9	1.8	1.8	1.7	1.7	1.6	1.5
4	5.1	5.0	4.9	4.8	4.8	4.7	4.6	4.5	4.4	4.3	4.2	4.2	4.1	4.0	3.9	3.8	3.6	3.6	3.4	3.3	3.2	3.1
6	7.7	7.6	7.5	7.3	7.2	7.1	7.0	6.8	6.7	6.6	6.4	6.3	6.1	6.0	5.8	5.7	5.5	5.4	5.2	5.0	4.8	4.6
10	13.9	13.6	13.4	13.1	12.8	12.5	12.2	11.9	11.6	11.3	11.0	10.7	10.3	10.0	9.6	9.2	8.9	8.5	8.0	7.6	7.1	6.6
16	20.8	20.4	20.1	19.8	19.4	19.1	18.7	18.3	18.0	17.6	17.2	16.8	16.4	16.0	15.6	15.1	14.7	14.2	13.7	13.2	12.7	12.8
20	25.7	25.3	24.9	24.5	24.1	23.6	23.2	22.8	22.3	21.9	21.4	21.0	20.5	20.0	19.5	19.0	18.4	17.9	17.3	16.7	16.1	15.5
25	32.2	31.7	31.2	30.7	30.2	29.7	29.1	28.6	28.0	27.4	26.8	26.2	25.6	25.0	24.3	23.7	23.0	22.3	21.6	20.8	20.0	19.2
32	41.0	40.5	39.8	39.2	38.5	37.8	37.2	36.5	35.8	35.0	34.3	33.5	32.8	32.0	31.2	30.3	29.5	28.7	27.7	26.8	25.8	24.8
40	51.6	50.9	50.0	49.2	48.4	47.5	46.6	45.7	44.8	43.9	43.0	42.0	41.0	40.0	38.9	37.9	36.8	35.6	34.4	33.2	32.0	30.6
50	64.9	64.0	62.9	61.9	60.8	59.7	58.5	57.4	56.2	55.1	53.8	52.6	51.3	50.0	47.8	46.2	44.8	43.3	41.8	40.2	38.6	35.8
63	83.5	82.1	80.6	79.2	77.7	76.2	74.7	73.1	71.5	69.9	68.2	66.5	64.8	63.0	60.1	58.2	56.2	54.2	52.0	49.8	47.5	43.1



Magnetic tripping currents are increased by 30 % on DC supplies.

B CURVE - Tripping Characteristics:

Calibrated for resistive or non/low inductive loads.
Applications: Lighting, Control Circuits

C CURVE - Tripping Characteristics:

Calibrated for general purpose inductive loads.
Applications: Fluorecent lighting, midrange inductive motors

D CURVE - Tripping Characteristics:

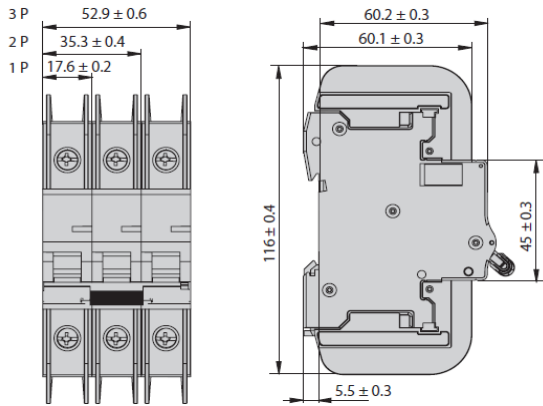
Calibrated for inductive loads with high inrush currents

Applications: Motors, Transformers

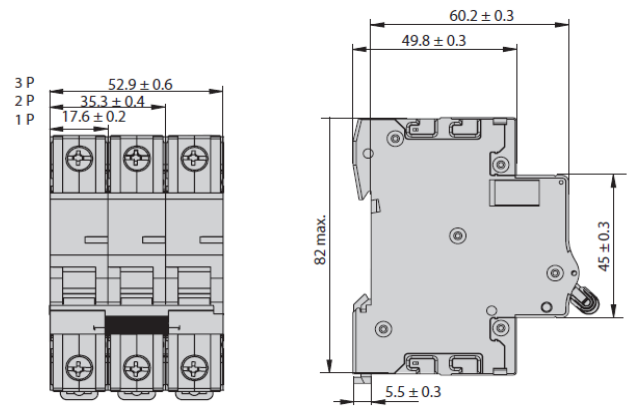
Dimensions (mm)

- General Information
- Circuit Protection
- Disconnect Switches
- Motor Protectors
- Contactors
- Overloads
- Enclosed Starters
- Relays
- Pushbuttons and Pilot Lights
- Terminal Blocks
- Power Factor Correction
- Appendix A
- Appendix B

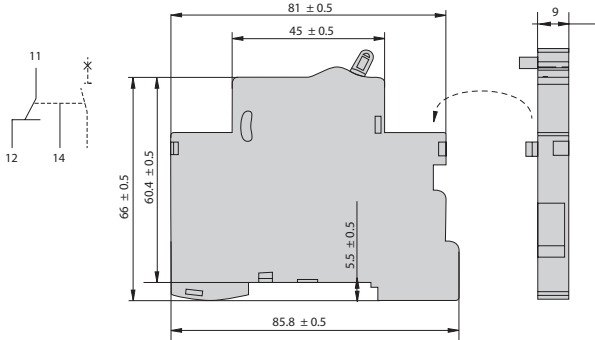
UMBW-4 (UL489)



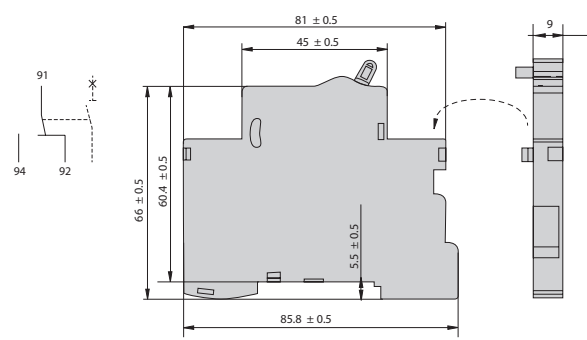
UMBW - 1 (UL1077)



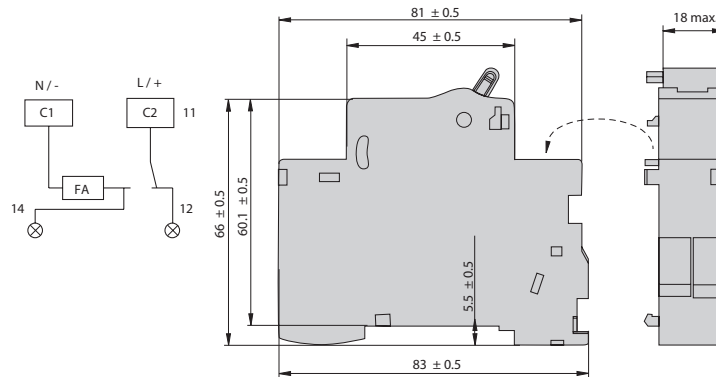
UMBW - AUX



UMBW - BAC



UMBW - AUX



General Information

Circuit Protection

Disconnect Switches

Motor Protectors

Contactors

Overloads

Enclosed Starters

Relays

Pushbuttons and Pilot Lights

Terminal Blocks

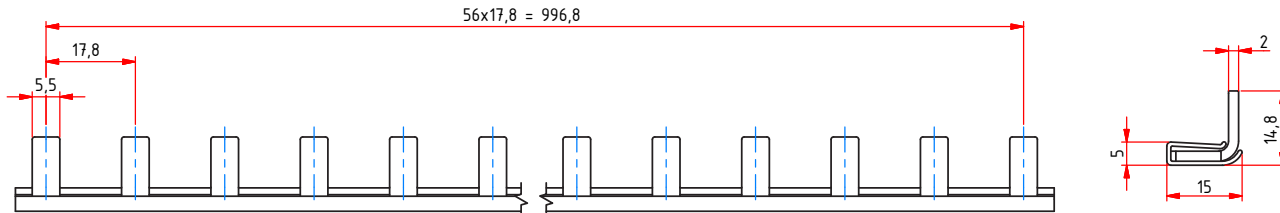
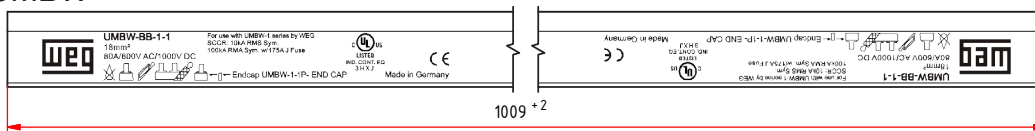
Power Factor Correction

Appendix A

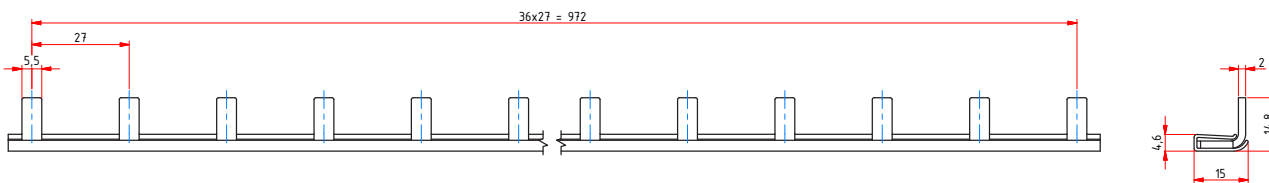
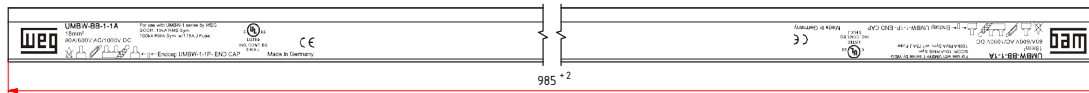
Appendix B

UMBW

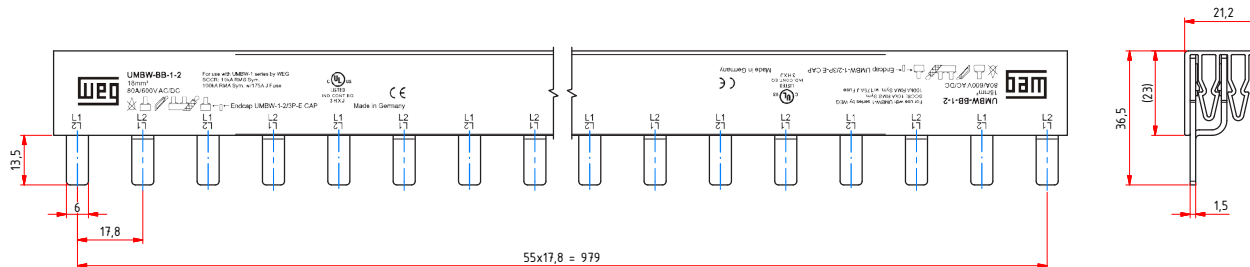
UMBW-BB-1-1



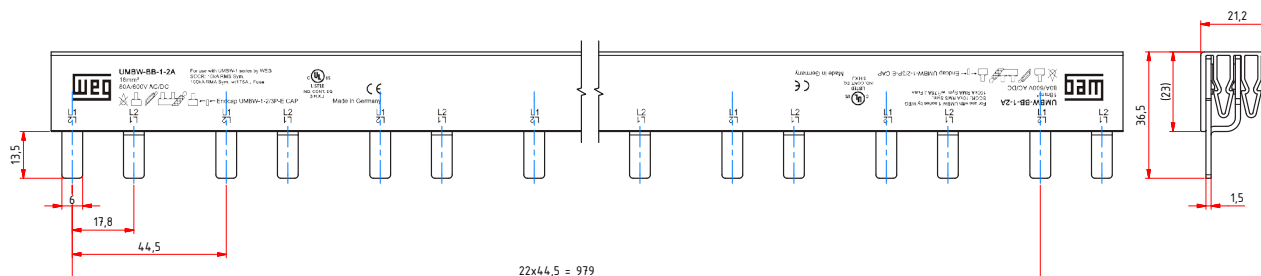
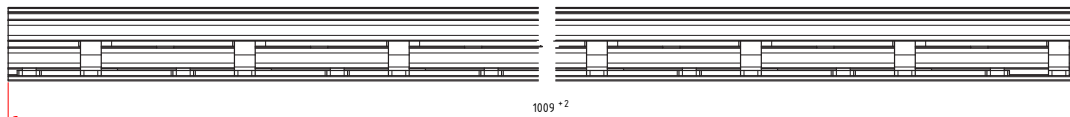
UMBW-BB-1-1A



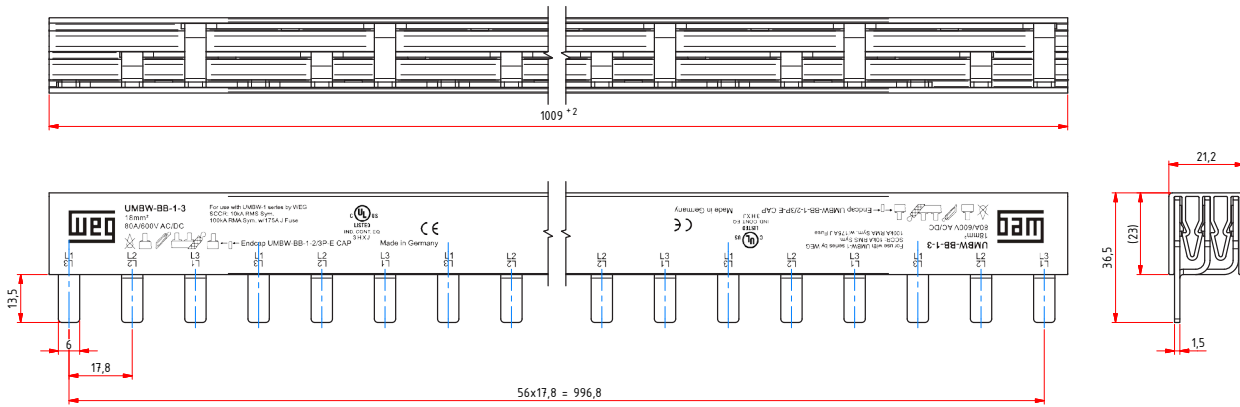
UMBW-BB-1-2



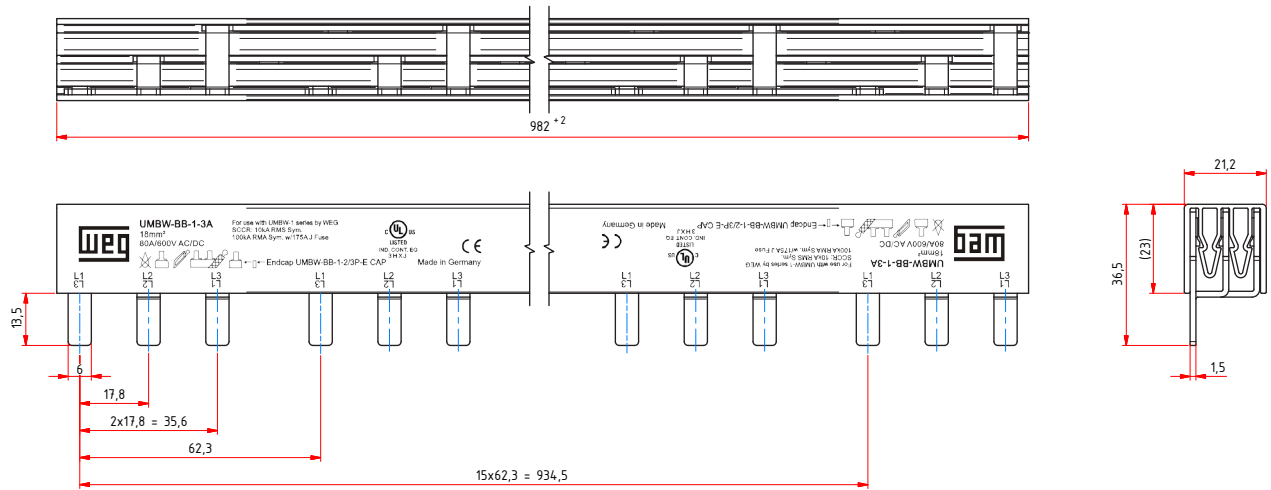
UMBW-BB-1-2A



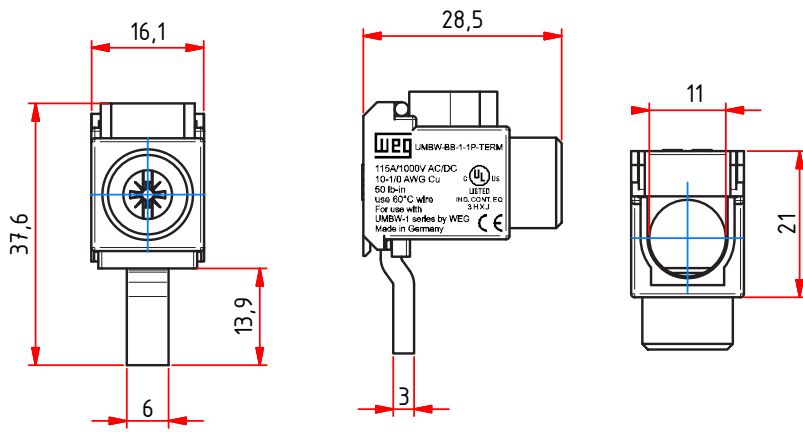
UMBW-BB-1-3



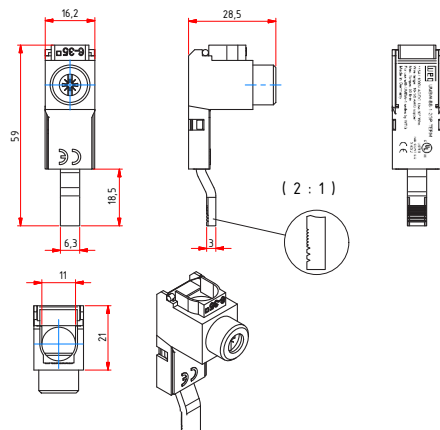
UMBW-BB-1-3A



UMBW-BB-1-1P-TERM

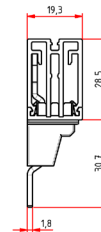
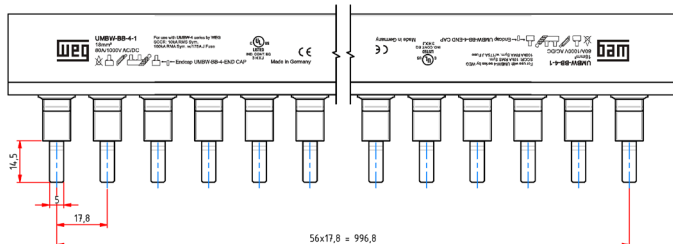
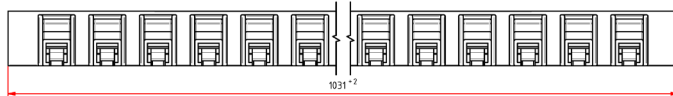


UMBW-BB-1-2/3P-TERM

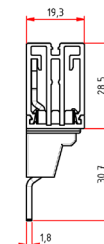
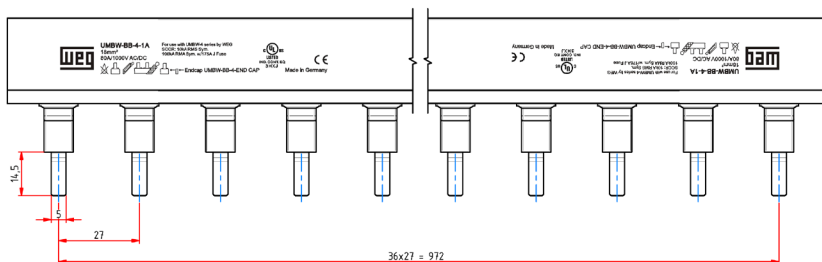
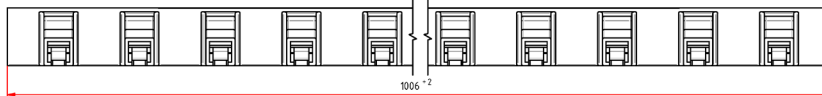


UMBW

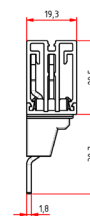
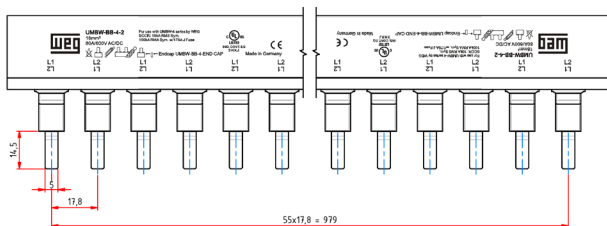
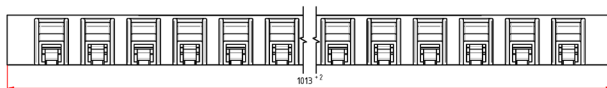
UMBW-BB-4-1



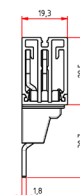
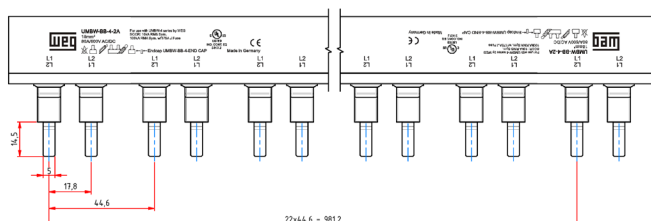
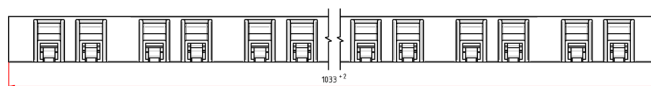
UMBW-BB-4-1A



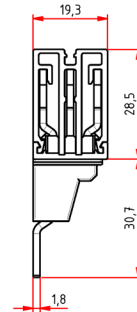
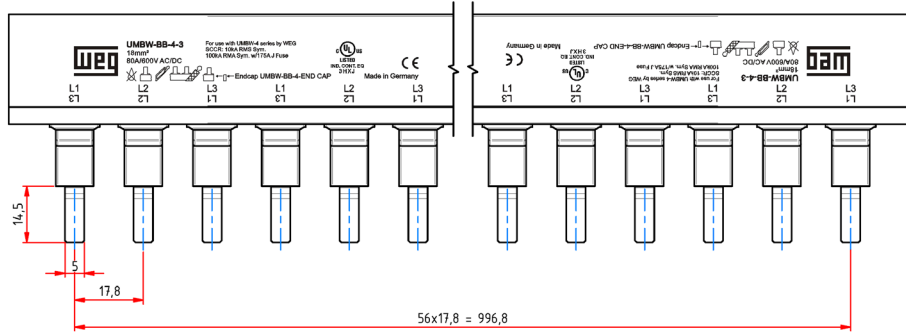
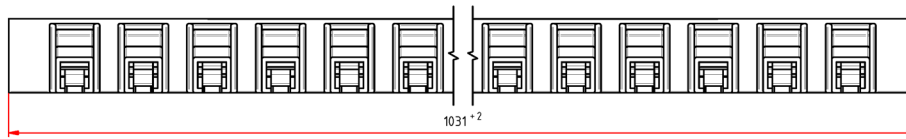
UMBW-BB-4-2



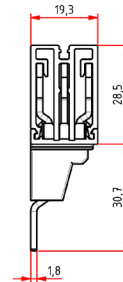
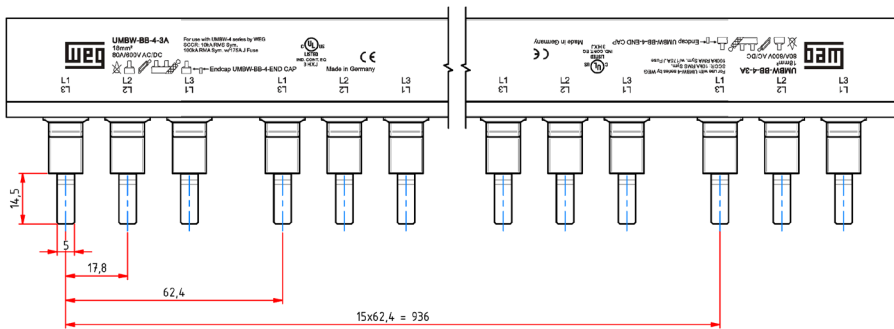
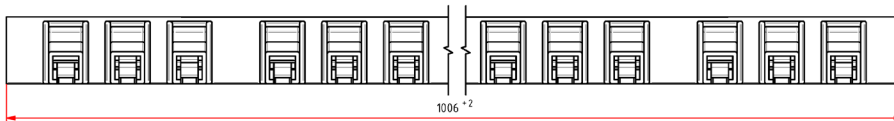
UMBW-BB-4-2A



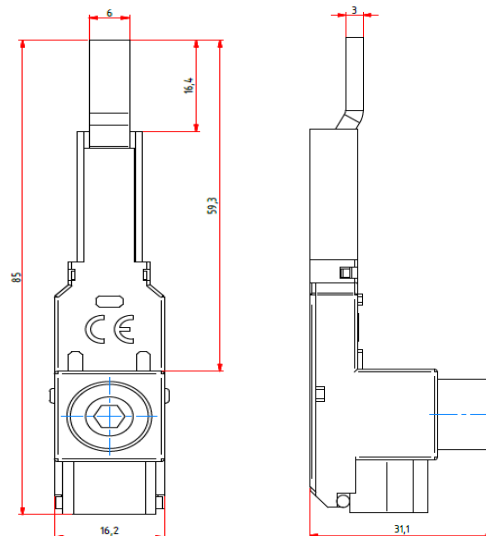
UMBW-BB-4-3



UMBW-BB-4-3A



UMBW-BB-4-1P-TERM



General Information

Circuit Protection

Disconnect Switches

Motor Protectors

Contactors

Overloads

Enclosed Starters

Relays

Pushbuttons and Pilot Lights

Terminal Blocks

Power Factor Correction

Appendix A

Appendix B